

# Unitech Screw Centrifugal Pumps Series 157

## APPLICATION:

Their function is transporting fluids with or without solid insertions with dimensions suitable for the type of pump. They are applicable for food, chemical, pharmaceutical industries and other similar manufactures.



## STANDARD EQUIPMENT:

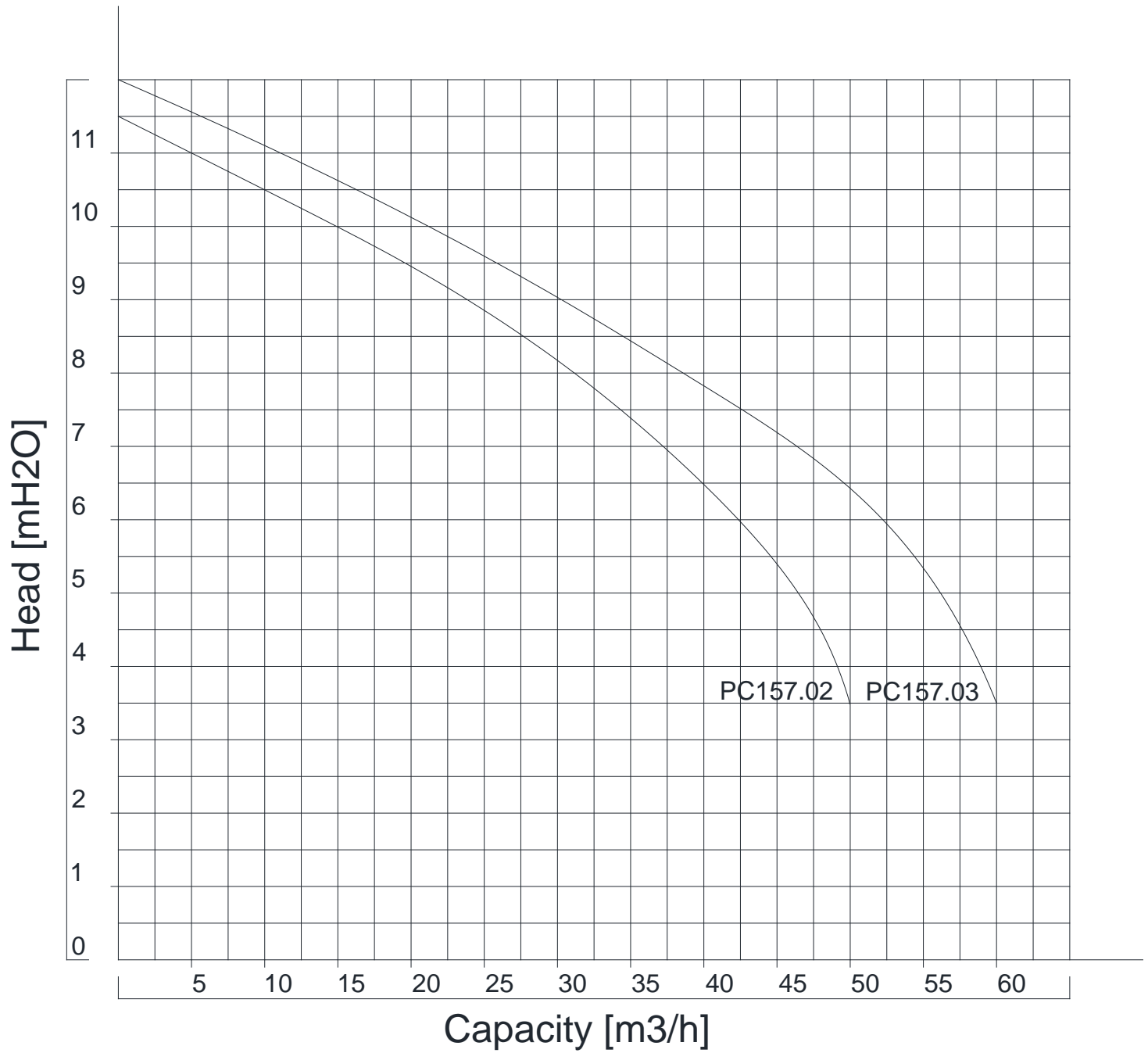
Block pump, directly joined to the shaft of the electric motor.  
 Standing on heels of the el. motor.  
 Helical impeller  
 Material AISI 304  
 Standard Inlet / Outlet: male union joints DIN 11851

## OPTIONS:

**\*K-modification** (mounted on a trolley with Starter)  
**\*Se- modification** (eccentric protective cover on the engine)  
 Material AISI 316  
 Connection: Garolla, SMS, Macon, Clamp, etc.  
**\*Other Options on Request**

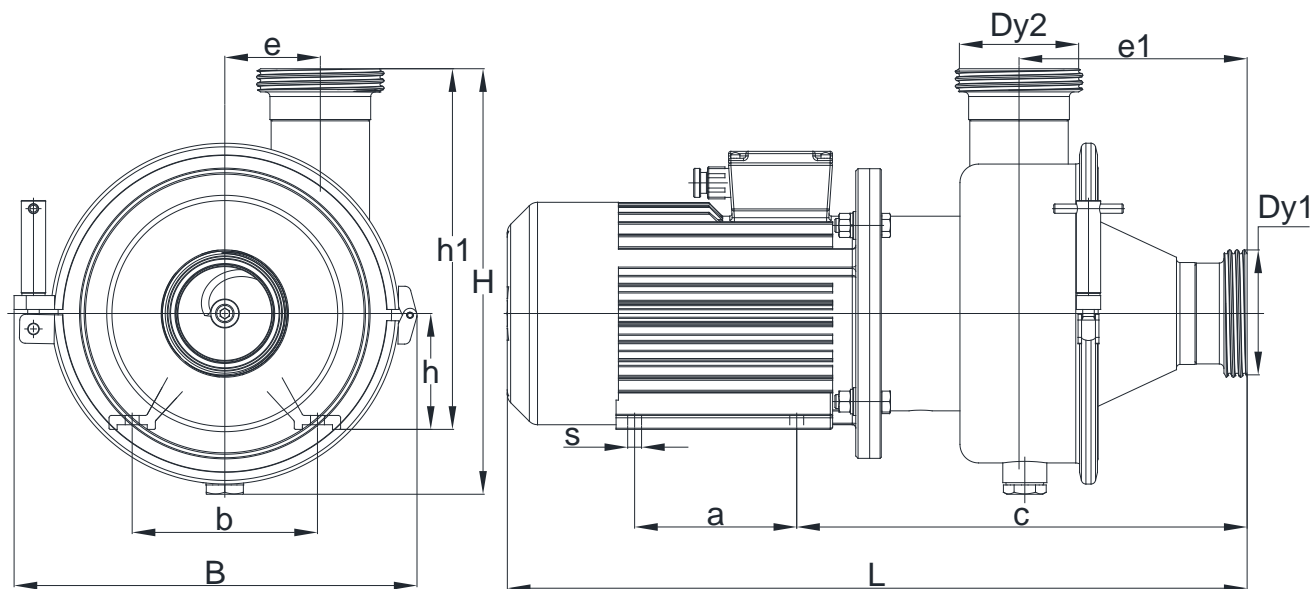
Technical Parameters								
Model	Capacity	Head		Electric Motor		Connection	Temperature	Weight
				kW	RPM			
PC157.02	35 m <sup>3</sup> /h	0.5 bar	up to 1.2 bar	1.5	1450	male union joints DIN 11851	+2 ÷ +95°C	28 kg
PC157.03	50 m <sup>3</sup> /h	0.5 bar	up to 1.2 bar	3.0	1420			48 kg

## Characteristic Curves of the Unitech Screw Centrifugal Pumps Series 157



\*with fluid – water at temperature 20 °C.  
 \*with pipes equal with pump's connections.

## Dimensions of the Screw Centrifugal Pumps Series 157



Dimensions, mm													
Model	Dy1	Dy2	L	B	H	h	h1	c	a	e	e1	b	s
PC157.02	65	65	555	280	320	90	280	218	125	60	145	140	12
PC157.03	80	80	640	350	370	100	311	390	140	83	200	160	12

6600 Kardzhali , Bulgaria  
 East Industrial Zone  
 Post box 187  
 Tel: +35936166650  
 Fax: +35936166651  
 E-mail: [unitech@unitech.bg](mailto:unitech@unitech.bg)  
 Web: [www.unitech.bg](http://www.unitech.bg)