

Unitech Screw Centrifugal Pumps Series 157

Models PC157K

APPLICATION:

Their function is transporting fluids with or without solid insertions with dimensions suitable for the type of pump. They are applicable for food, chemical, pharmaceutical industries and other similar manufactures.



STANDARD EQUIPMENT:

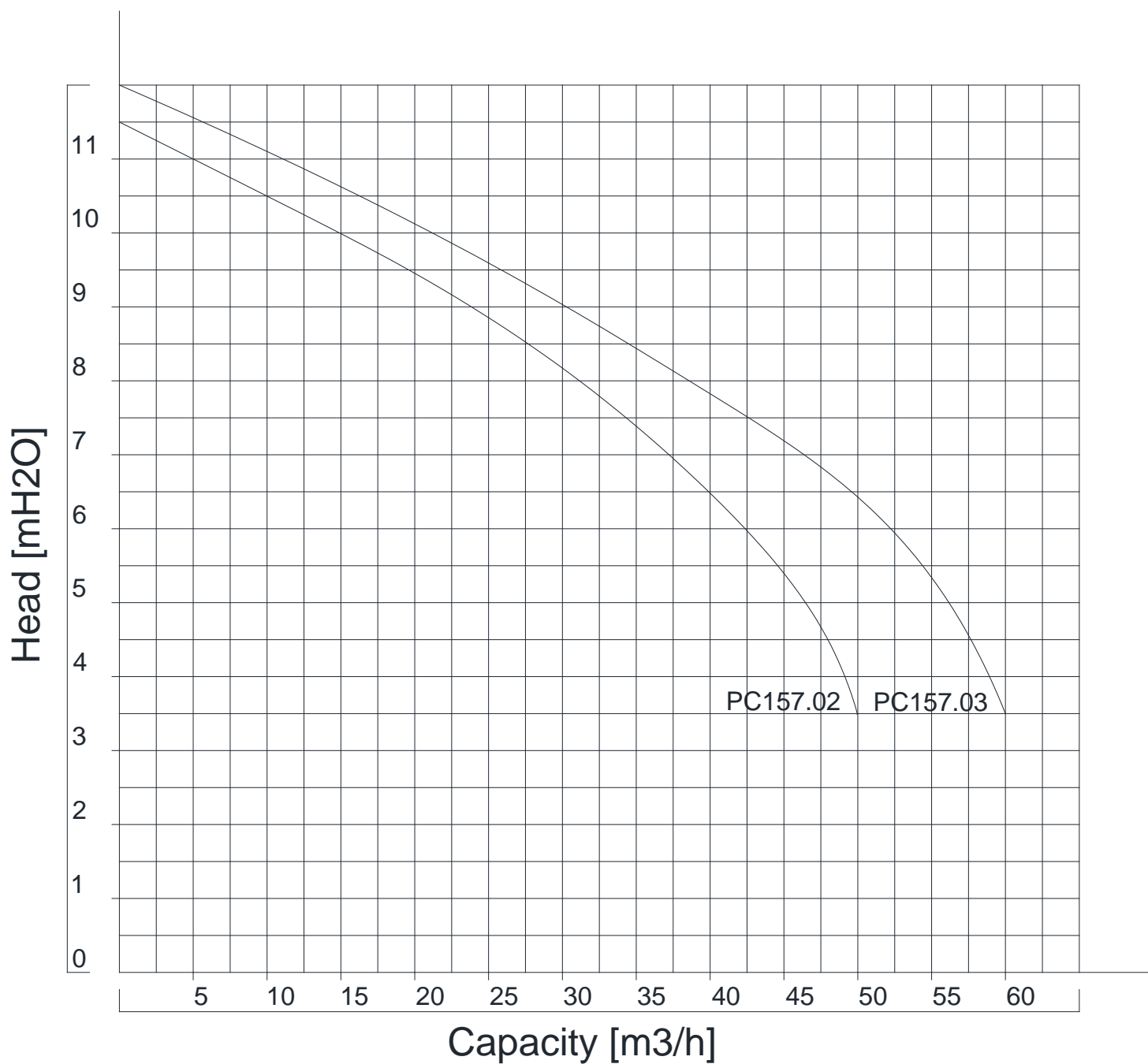
Block pump, directly joined to the shaft of the electric motor.
 Mounted on a trolley with Starter
 Helical impeller
 Material AISI 304
 Standard Inlet / Outlet: male union joints DIN 11851

OPTIONS:

***Se- modification** (eccentric protective cover on the engine)
 Material AISI 316
 Connection: Garolla, SMS, Macon, Clamp, etc.
***Other Options on Request**

Technical Parameters								
Model	Capacity	Head		Electric Motor		Connection	Temperature	Weight
				kW	RPM			
PC157.02K	35 m ³ /h	0.5 bar	up to 1.2 bar	1.5	1450	male union joints DIN 11851	+2 ÷ +95°C	39 kg
PC157.03K	50 m ³ /h	0.5 bar	up to 1.2 bar	3.0	1420			59 kg

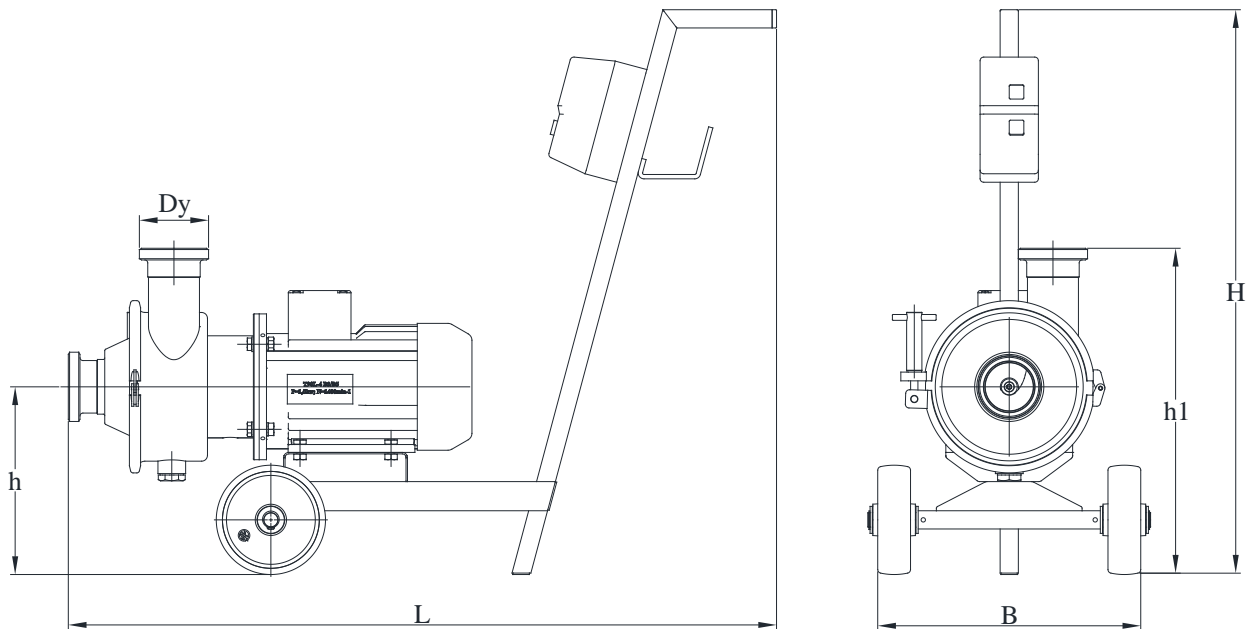
Characteristic Curves of the Unitech Screw Centrifugal Pumps Series 157



*with fluid – water at temperature 20 °C.
 *with pipes equal with pump's connections.

Dimensions of the Screw Centrifugal Pumps Series 157

Models PC157K



Dimensions, mm							
Model	Dy1	Dy2	L	B	H	h	h1
PC157.02K	65	65	975	365	775	260	450
PC157.03K	80	80	1170	415	775	290	500

6600 Kardzhali , Bulgaria
 East Industrial Zone
 Post box 187
 Tel: +35936166650
 Fax: +35936166651
 E-mail: unitech@unitech.bg
 Web: www.unitech.bg