

# Unitech Screw Centrifugal Pumps Series 157

## Models PC157Se

APPLICATION:

Their function is transporting fluids with or without solid insertions with dimensions suitable for the type of pump. They are applicable for food, chemical, pharmaceutical industries and other similar manufactures.



STANDARD EQUIPMENT:

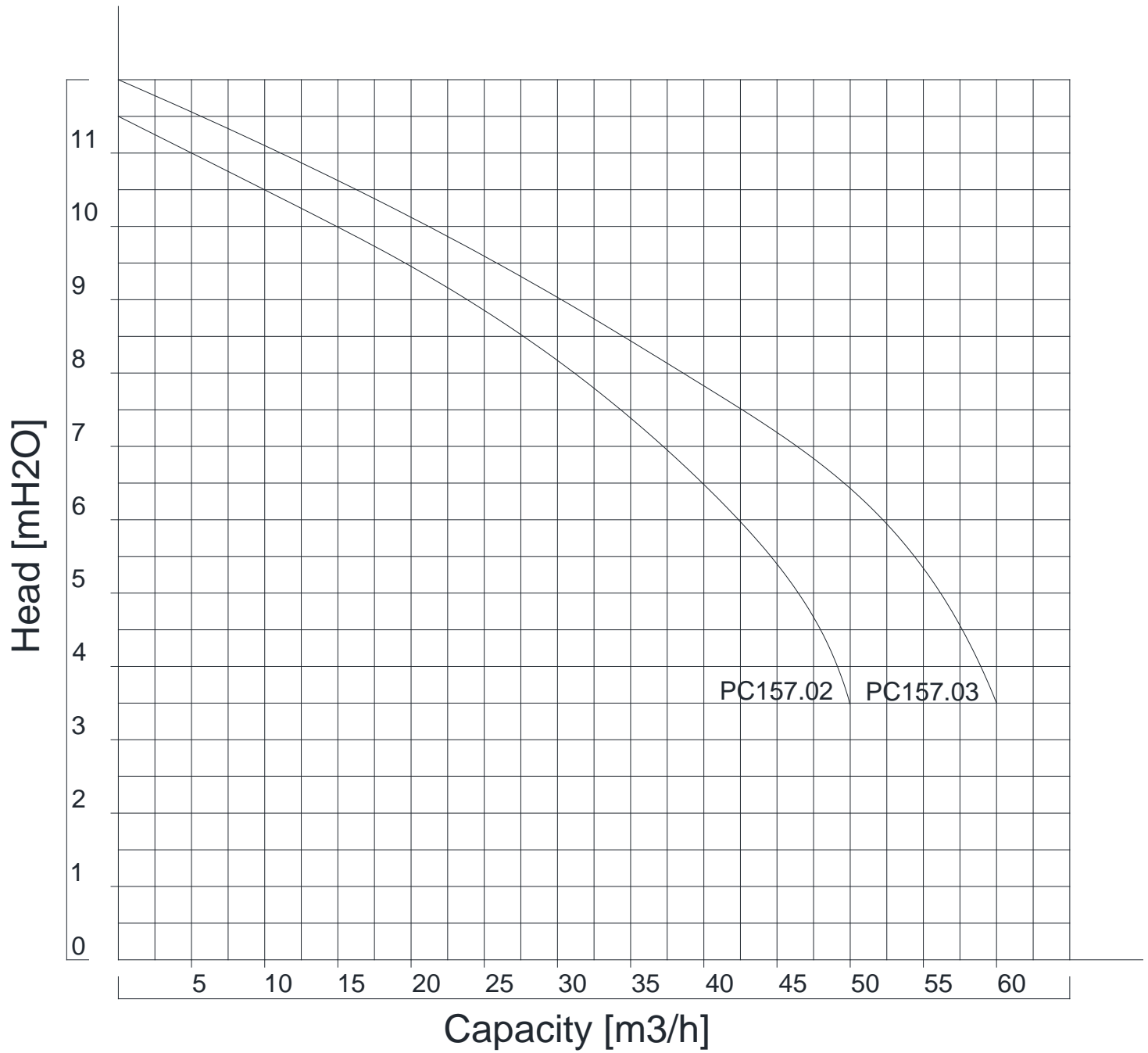
Block pump, directly joined to the shaft of the electric motor.  
**Se- modification** (eccentric protective cover on the engine)  
 Standing on Stainless steel feet.  
 Helical impeller  
 Material AISI 304  
 Standard Inlet / Outlet: male union joints DIN 11851

OPTIONS:

Material AISI 316  
 Connection: Garolla, SMS, Macon, Clamp, etc.  
**\*Other Options on Request**

Technical Parameters								
Model	Capacity	Head		Electric Motor		Connection	Temperature	Weight
				kW	RPM			
PC157.02Se	35 m <sup>3</sup> /h	0.5 bar	up to 1.2 bar	1.5	1450	male union joints DIN 11851	+2 ÷ +95°C	33 kg
PC157.03Se	50 m <sup>3</sup> /h	0.5 bar	up to 1.2 bar	3.0	1420		53 kg	

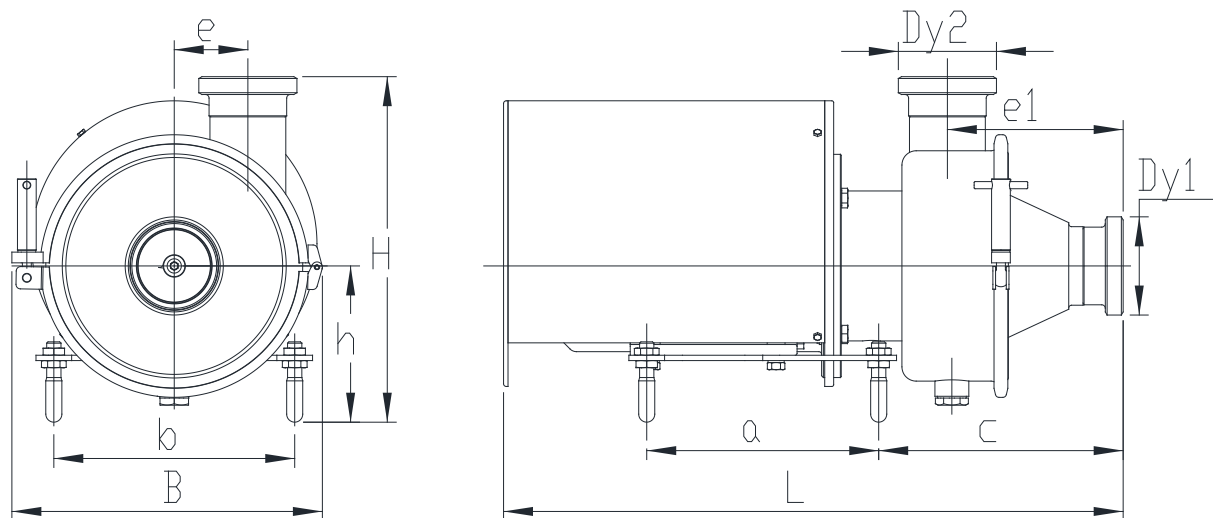
## Characteristic Curves of the Unitech Screw Centrifugal Pumps Series 157



\*with fluid – water at temperature 20 °C.  
 \*with pipes equal with pump's connections.

## Dimensions of the Screw Centrifugal Pumps Series 157

### Models PC157Se



Dimensions, mm											
Model	Dy1	Dy2	L	B	H	h	e	e1	a	c	b
PC157.02Se	65	65	610	285	335	145	60	145	215	233	210
PC157.03Se	80	80	695	350	386	175	82	197	260	274	270