

Unitech Self- priming Pumps Series 200 Models PVS200K

APPLICATION:

Applicable for transportation of liquids without content of mechanical alloys in different areas of the food industry. These pumps have the ability to suck from depth up to 6 meters under their own level. Their construction allows reversible depending on the direction of the electric motor.



STANDARD EQUIPMENT:

Block pump – directly joined to the shaft of the electric motor.

On trolley with starter

Material AISI 304

Standard Inlet / Outlet: male union joints DIN 11851

OPTIONS:

***Se- modification** (eccentric protective cover on the engine)

***B- modification** (By-pass with safety overflow valve)

***Monophase** - power supply 220V

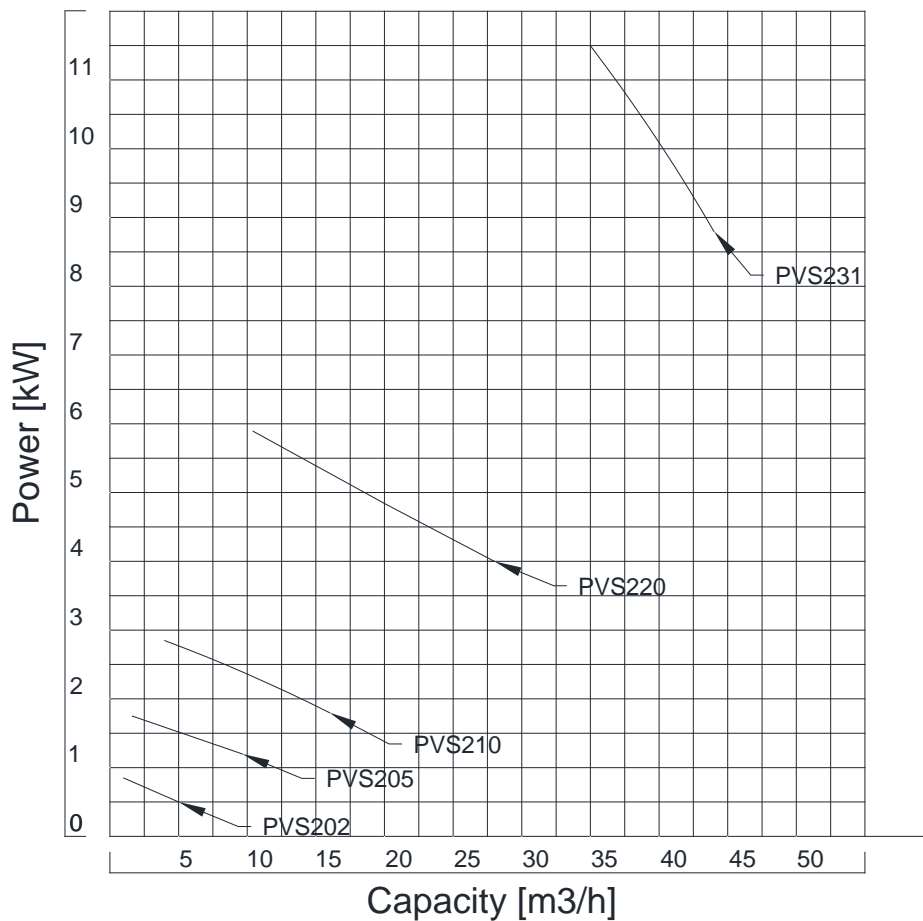
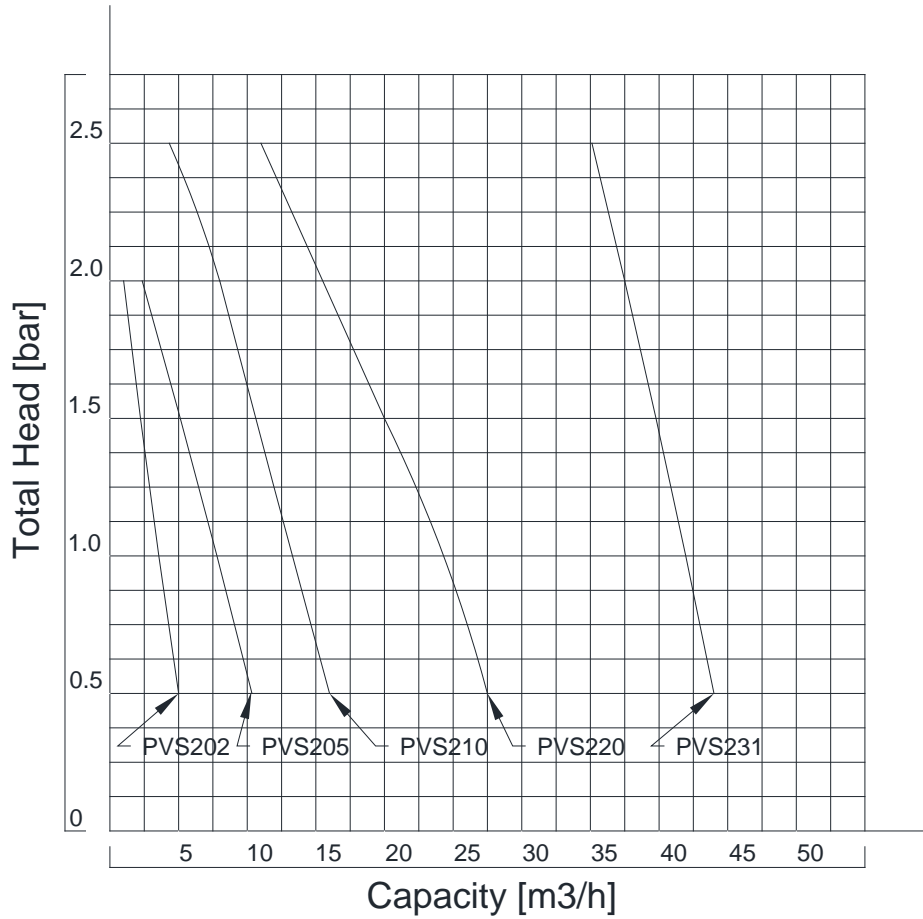
Material AISI 316

Connection: Garolla, SMS, Macon, Clamp, etc.

***Other Options on Request**

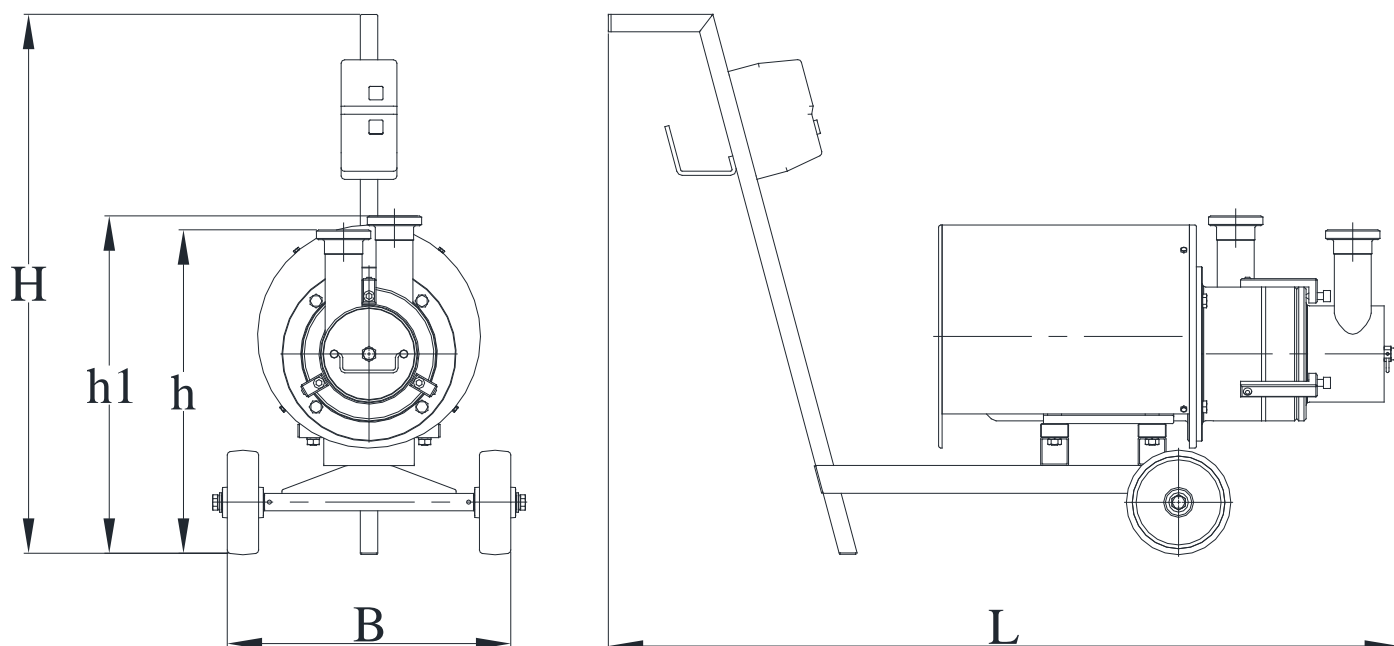
Technical Parameters							
Model	Capacity	Nominal Pressure	Electric Motor		Connection	Temperature	Weight
			kW	RPM			
PVS202K	2 m ³ /h	1.5 bar	0.75	1420	male union joints DIN 11851	+2 ÷ +95°C	28 kg
PVS205K	5 m ³ /h		1.50	1420			39 kg
PVS210K	10 m ³ /h		3.0	1420			58 kg
PVS220K	20 m ³ /h		5.5	1420			92 kg
PVS231K	35 m ³ /h		11.0	1420			180 kg

Characteristic Curves of the Unitech Self-priming Pumps Series 200



*with fluid – water at temperature 20 °C.
 *with pipes equal with pump's connections.

Dimensions of the Unitech Self-priming Pumps Series 200 Models PVS200K



Dimensions, mm							
Model	Dy1	Dy2	L	B	H	h	h1
PVS202	40	40	865	405	775	247	420
PVS205	40	40	885	405	775	287	430
PVS210	50	50	1130	450	775	459	479
PVS220	50	50	1160	450	775	491	531
PVS231	65	65	1180	450	775	540	540

6600 Kardzhali , Bulgaria
 East Industrial Zone
 Post box 187
 Tel: +35936166650
 Fax: +35936166651
 E-mail: unitech@unitech.bg
 Web: www.unitech.bg