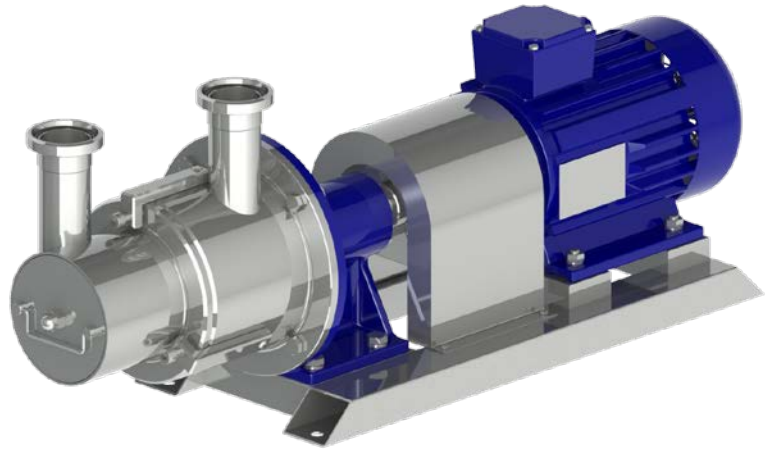


Unitech Self- priming Pumps Series 200

Models PVS200M1R

APPLICATION:

Applicable for transportation of liquids without content of mechanical alloys in different areas of the food industry. These pumps have the ability to suck from depth up to 6 meters under their own level. Their construction allows reversible depending on the direction of the electric motor.



STANDARD EQUIPMENT:

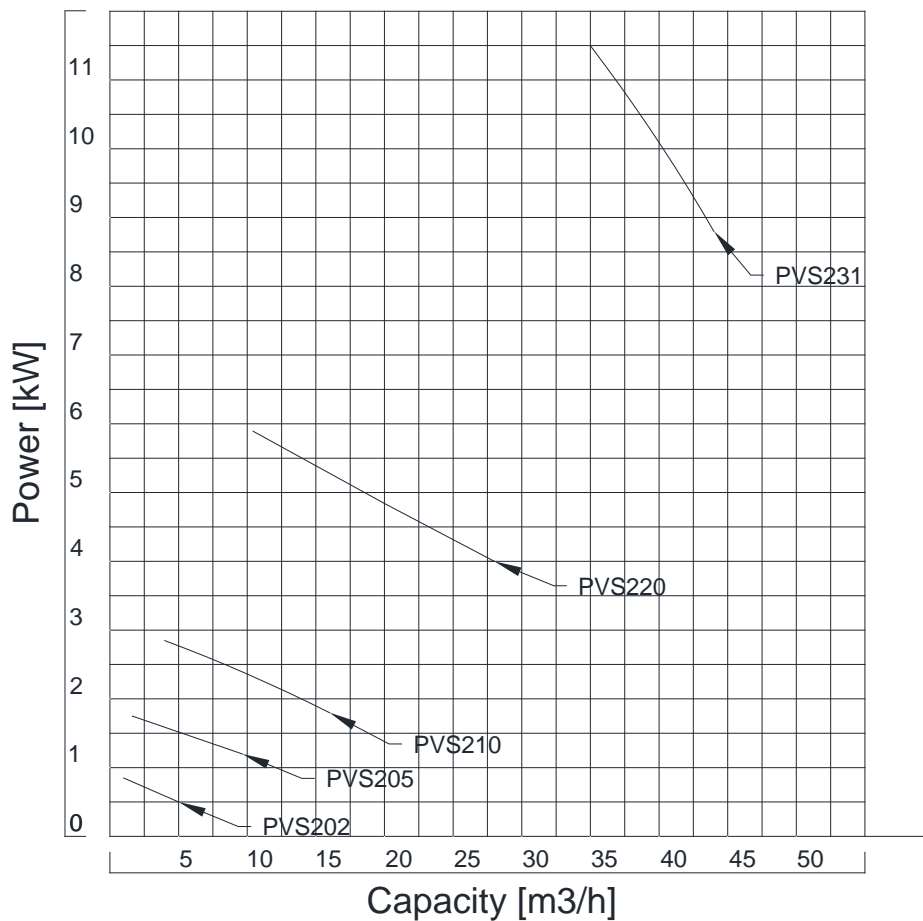
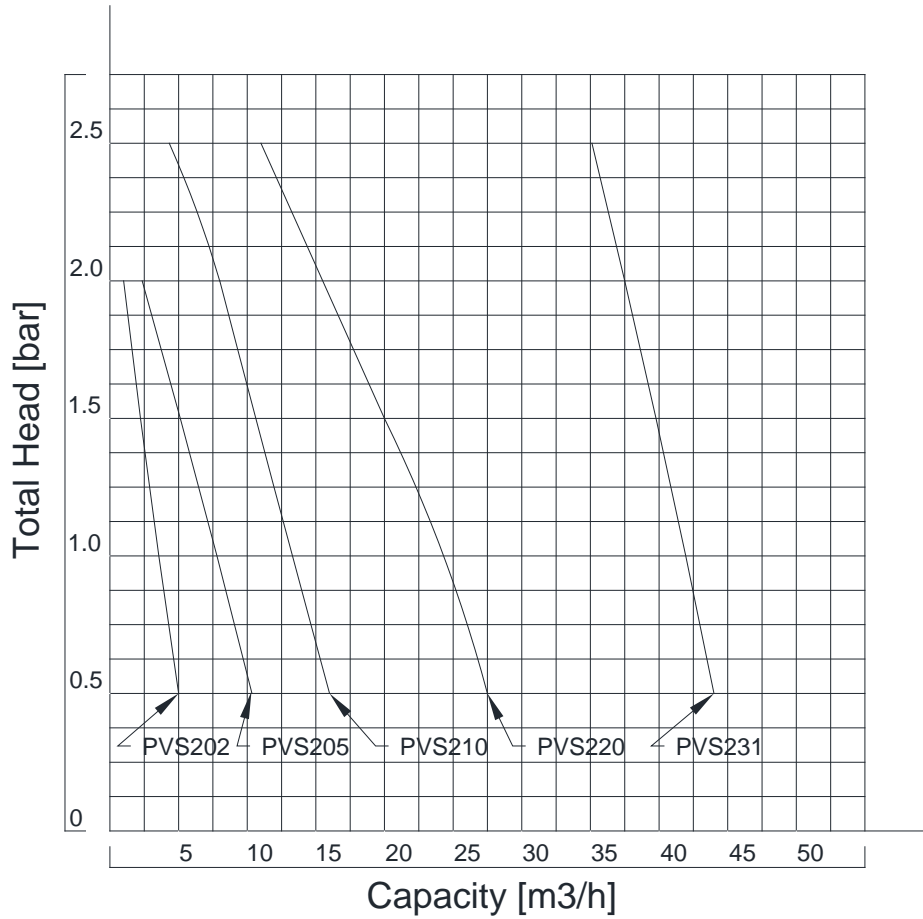
Pump with own geared body joined to the standard electric motor through a connector
 Mounted on a frame.
 Material AISI 304
 Standard Inlet / Outlet: male union joints DIN 11851

OPTIONS:

***B- modification** (By-pass with safety overflow valve)
***Ex-modification** (with explosion proof el. motor)
***K-modification** (mounted on a trolley with Starter)
 Material AISI 316
 Connection: Garolla, SMS, Macon, Clamp, etc.
***Other Options on Request**

Technical Parameters							
Model	Capacity	Nominal Pressure	Electric Motor		Connection	Temperature	Weight
			kW	RPM			
PVS202M1R	2 m ³ /h	1.5 bar	0.75	1420	male union joints DIN 11851	+2 ÷ +120°C	28 kg
PVS205M1R	5 m ³ /h		1.50	1420			60 kg
PVS210M1R	10 m ³ /h		3.0	1420			83 kg
PVS220M1R	20 m ³ /h		5.5	1420			110 kg
PVS231M1R	35 m ³ /h		11.0	1420			190 kg

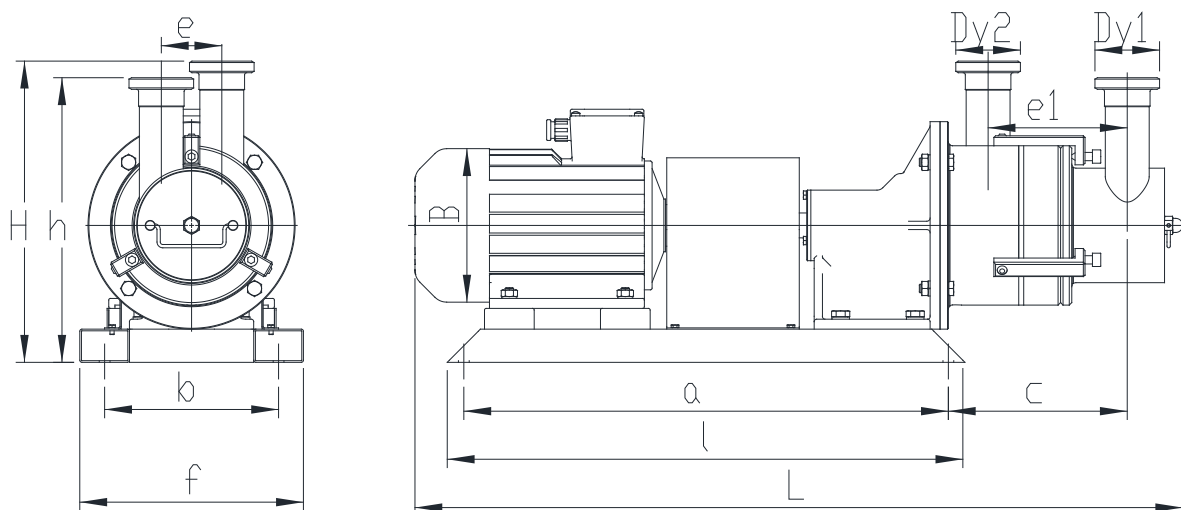
Characteristic Curves of the Unitech Self-priming Pumps Series 200



*with fluid – water at temperature 20 °C.
 *with pipes equal with pump's connections.

Dimensions of the Unitech Self-priming Pumps Series 200

Models PVS200M1R



Dimensions, mm														
Model	Dy1	Dy2	L	B	H	h	e	e1	c	b	a	f	l	s
PVS202M1R	40	40	630	160	315	150	-	122	140	140	445	180	520	13
PVS205M1R	40	40	710	160	295	160	-	133	140	140	445	180	520	13
PVS210M1R	50	50	930	200	363	343	73	168	215	210	585	270	625	13
PVS220M1R	50	50	930	250	393	353	73	168	205	195	620	245	670	13
PVS231M1R	65	65	1170	265	427	427	-	151	195	210	750	260	800	13

6600 Kardzhali , Bulgaria
 East Industrial Zone
 Post box 187
 Tel: +35936166650
 Fax: +35936166651
 E-mail: unitech@unitech.bg
 Web: www.unitech.bg