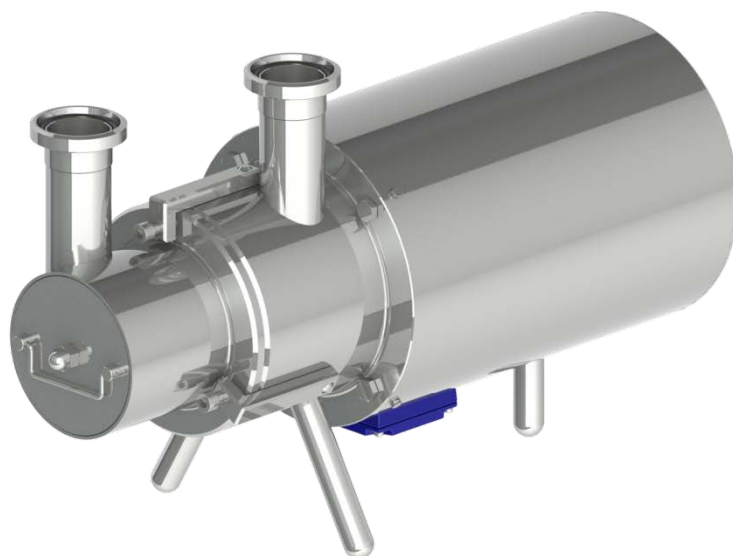


# Unitech Self- priming Pumps Series 200

## Models PVS200S

### APPLICATION:

Applicable for transportation of liquids without content of mechanical alloys in different areas of the food industry. These pumps have the ability to suck from depth up to 6 meters under their own level. Their construction allows reversible depending on the direction of the electric motor.



### STANDARD EQUIPMENT:

Block pump – directly joined to the shaft of the electric motor.

With protective engine cover, mounted on feet

Material AISI 304  
Standard Inlet / Outlet: male union joints DIN 11851

### OPTIONS:

**\*B- modification** (By-pass with safety overflow valve)

**\*Monophase** - power supply 220V

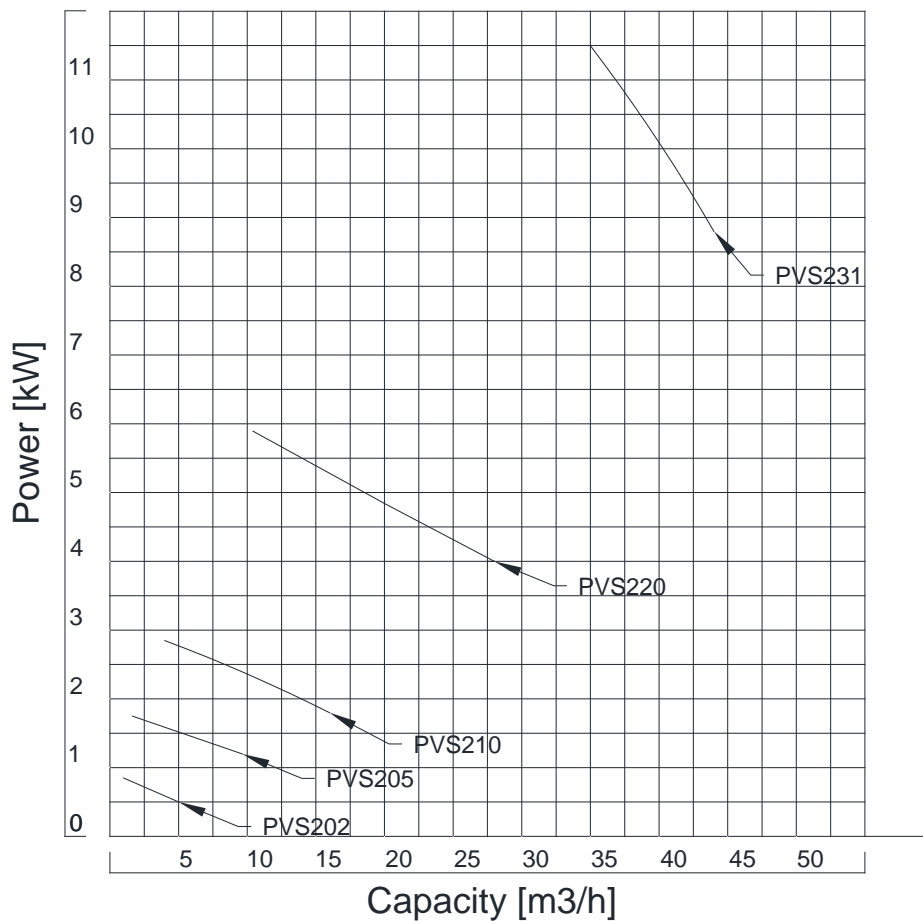
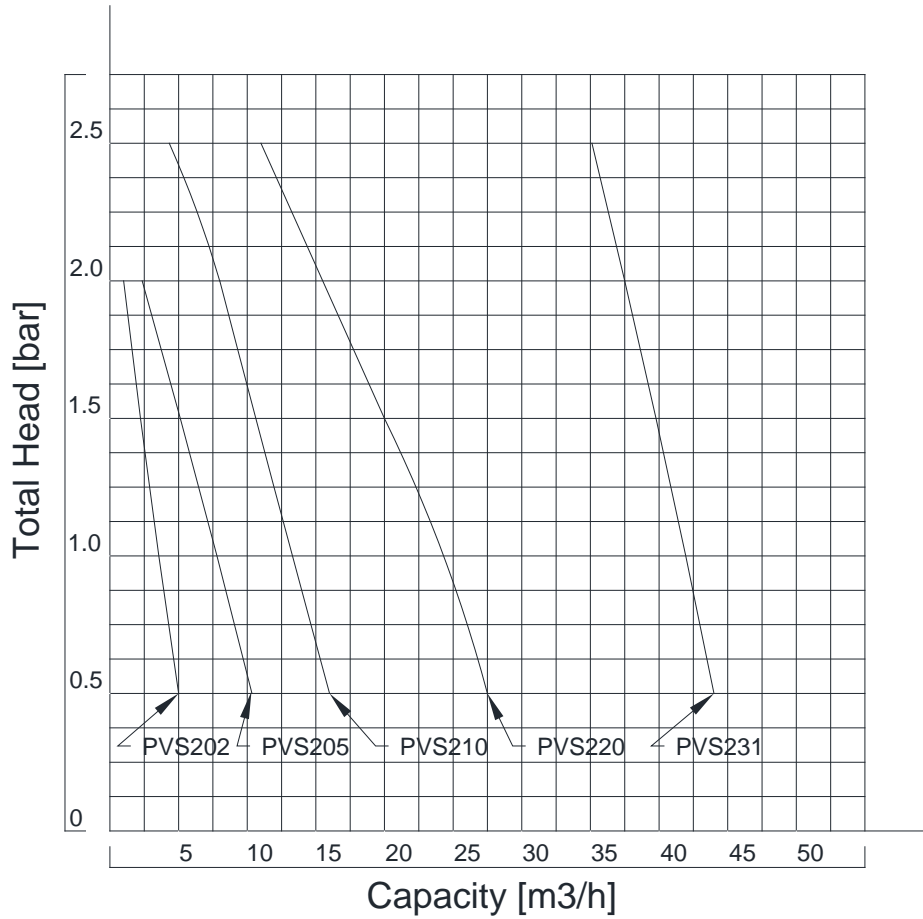
Material AISI 316

Connection: Garolla, SMS, Macon, Clamp, etc.

**\*Other Options on Request**

Technical Parameters							
Model	Capacity	Nominal Pressure	Electric Motor		Connection	Temperature	Weight
			kW	RPM			
PVS202S	2 m <sup>3</sup> /h	1.5 bar	0.75	1420	male union joints DIN 11851	+2 ÷ +95°C	23 kg
PVS205S	5 m <sup>3</sup> /h		1.50	1420			36 kg
PVS210S	10 m <sup>3</sup> /h		3.0	1420			55 kg
PVS220S	20 m <sup>3</sup> /h		5.5	1420			89 kg
PVS231S	35 m <sup>3</sup> /h		11.0	1420			175 kg

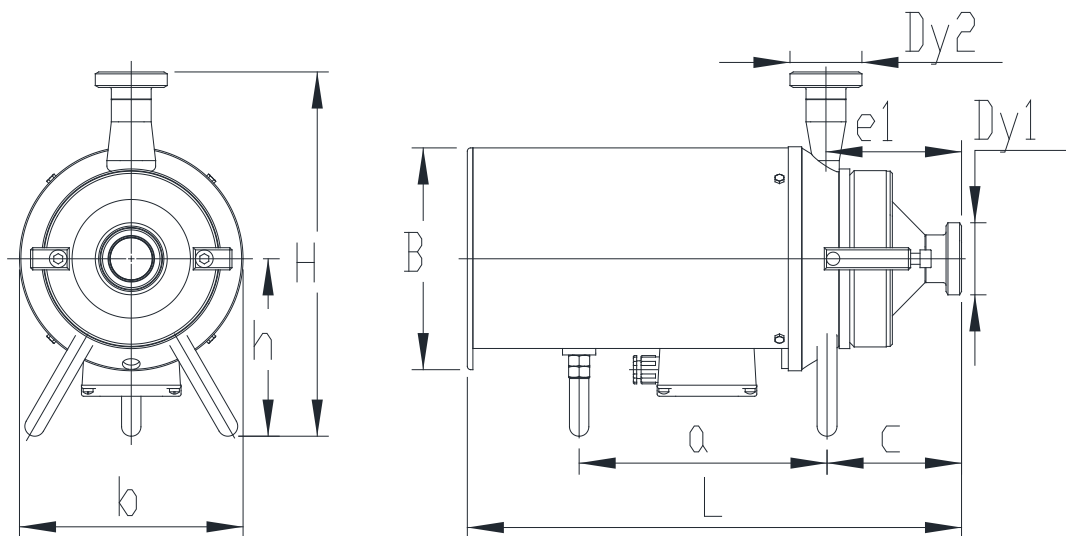
## Characteristic Curves of the Unitech Self-priming Pumps Series 200



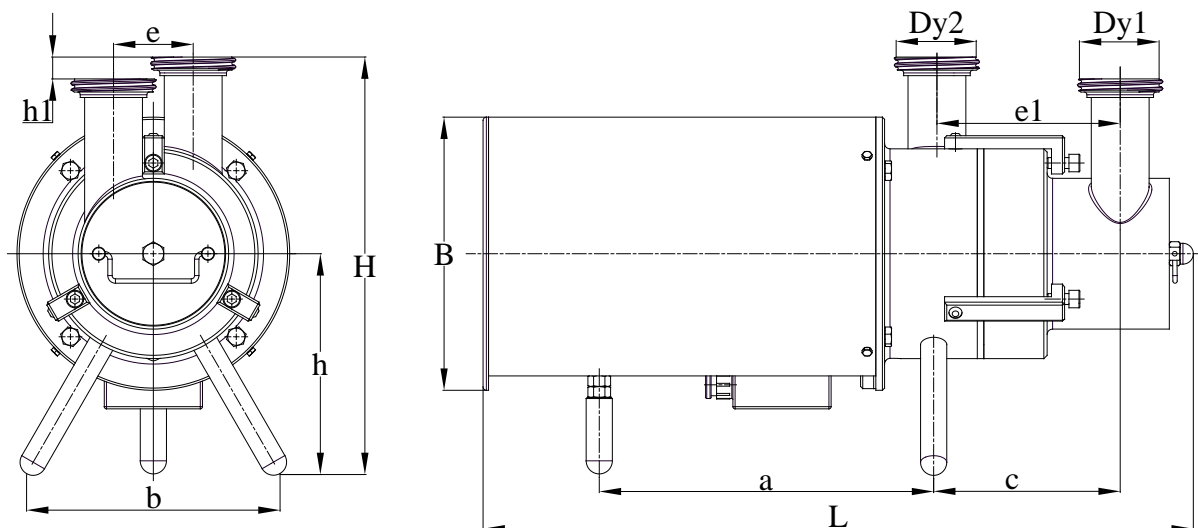
\*with fluid – water at temperature 20 °C.  
 \*with pipes equal with pump's connections.

## Dimensions of the Unitech Self-priming Pumps Series 200

### Models PVS200S



Type	Q	H	P	Dimensions (mm)												T	Sound Level
	m <sup>3</sup> /h	M	kW	Dy	L	B	H	h	e1	c	a	f	s	kg	dB (A)		
PVS202S	2	15	0.75	40	445	200	325	160	120	120	220	-	175	-	25	≤ 90	
PVS205S	5		1.50		490		330	165	135	135	270	-	180	-			



Dimensions, mm												Sound Level
Model	Dy1	Dy2	L	B	H	h1	e	e1	c	b	a	
PVS210S	50	50	655	250	380	20	73	168	170	230	300	≤ 90
PVS220S	50	50	725	300	440	40	73	168	170	290	300	

6600 Kardzhali, Bulgaria  
 East Industrial Zone  
 Post box 187  
 Tel: +35936166650  
 Fax: +35936166651  
 E-mail: [unitech@unitech.bg](mailto:unitech@unitech.bg)  
 Web: [www.unitech.bg](http://www.unitech.bg)