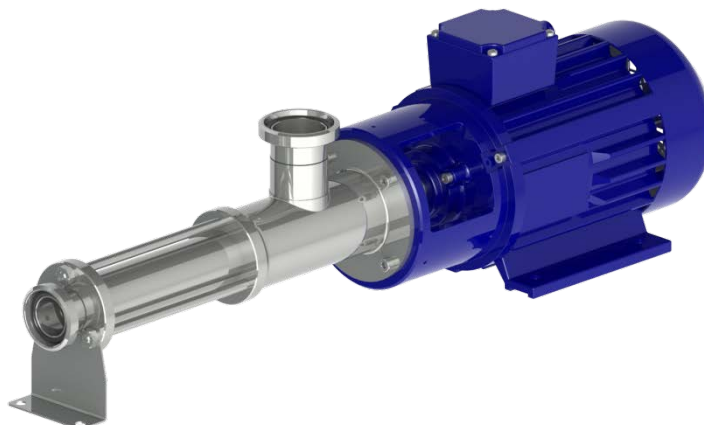


Unitech Screw Pumps Series 300

Models PV300D

APPLICATION:

These pumps have the ability of a delicate straight-streaming transport of a wide range of liquids with or without solid fragments with viscosity up to 150 Pa.s. These pumps suck from depth up to 6 meters under their own level. Their constructions allow reversible depending on the direction of the electric motor.



STANDARD EQUIPMENT:

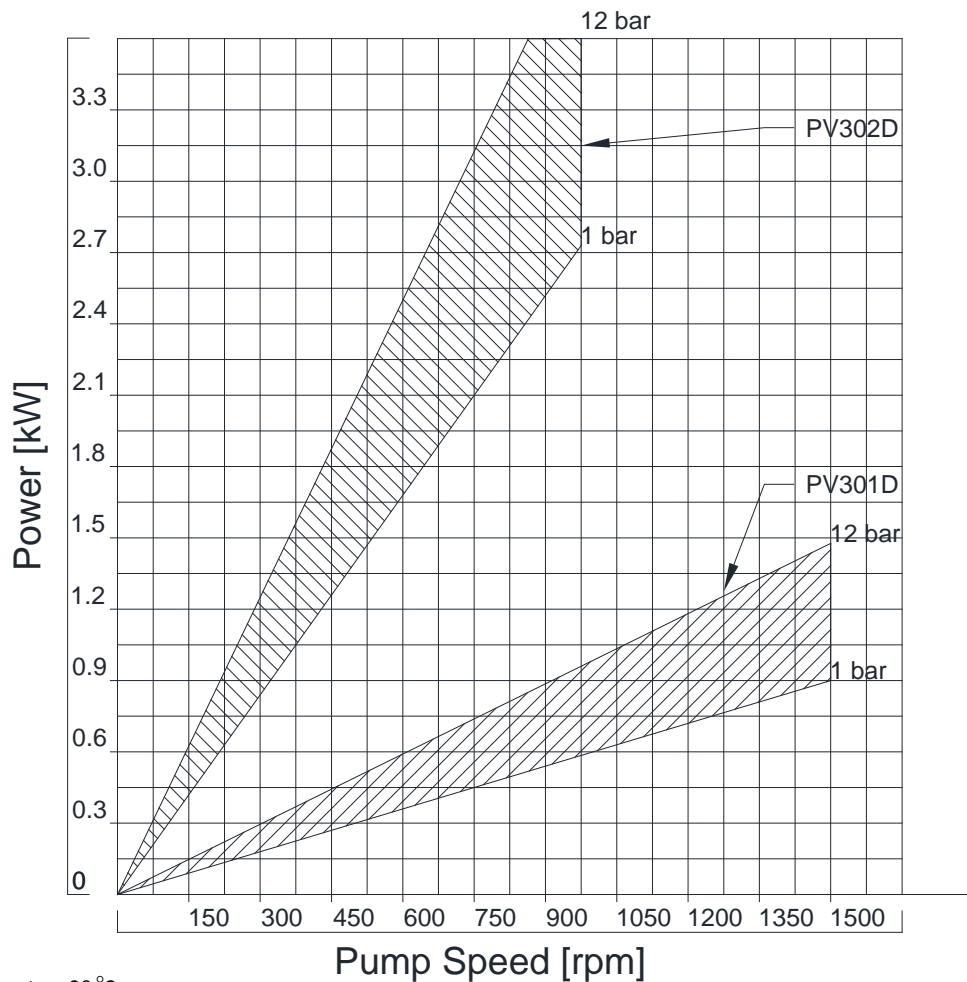
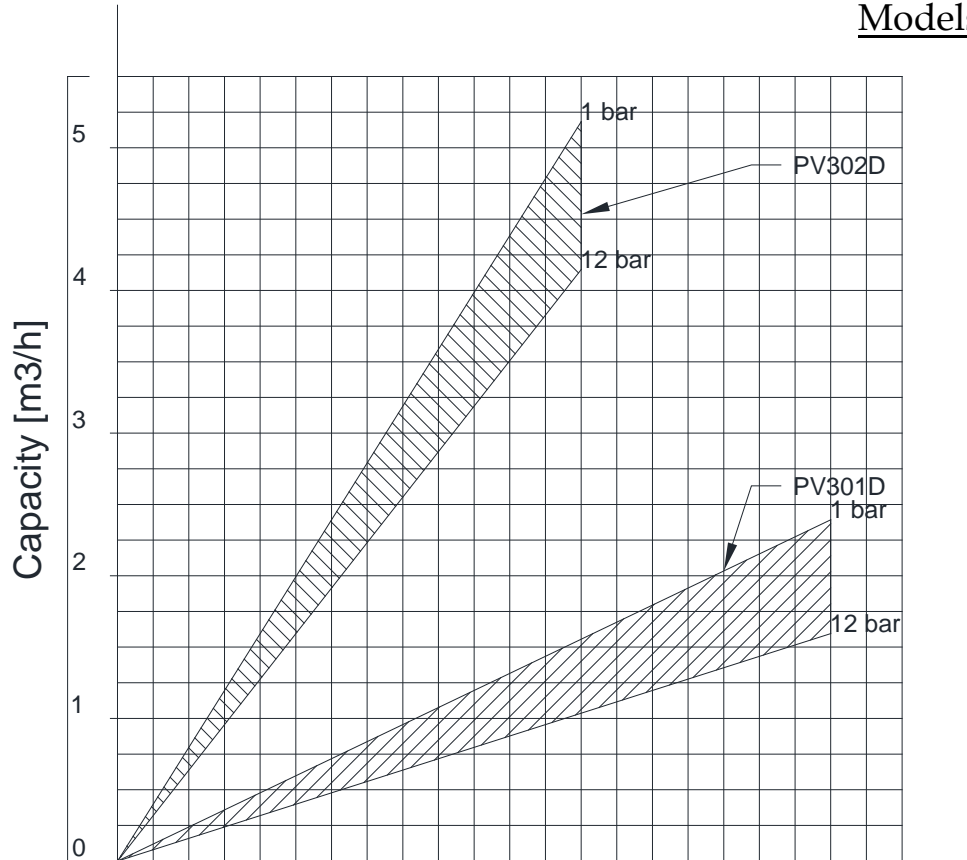
Block pump – directly joined to the shaft of the electric motor.
 Standing on heels of the el. motor.
 Material AISI 304/ EPDM
 Standard Inlet / Outlet: male union joints DIN 11851

OPTIONS:

- ***T-modification** (with double wall for cooling/heating)
- ***V-modification** (Double mechanical sealing)
- ***K-modification** (mounted on a trolley with Starter)
- ***B-modification** (By-pass with safety overflow valve)
- ***Mr-modification** (Gear-motor)
- ***Mv-modification** (Variable-speed drive)
- Material AISI 316
- Connection: Garolla, SMS, Macon, Clamp, etc.
- ***Other Options on Request**

Technical Parameters								
Model	Capacity	Nominal Pressure	Electric Motor		Connection	Temperature	Viscosity	Weight
			kW	RPM				
PV301D	1.0 m ³ /h	12.0 bar	1.5	920	male union joints DIN 11851	+2 ÷ +85°C	up to 150 Pa.s	25 kg
PV301DMr	0.5 m ³ /h		1.5	470				64 kg
PV301DMv	0.2-1 m ³ /h		1.5	165-920				68 kg
PV302DM2Mr	2.0 m ³ /h		3.0	730				77 kg
PV302DM1Mv	1-4 m ³ /h		3.0	190-1000				155 kg

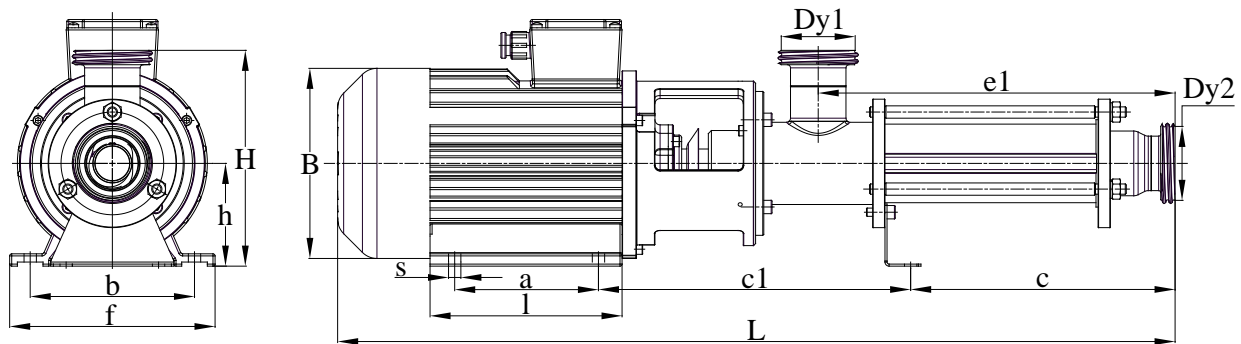
Characteristic Curves of the Unitech Screw Pumps Series 300 Models PV300D



*with fluid – water at temperature 20 °C.
*with pipes equal with pump's connections.

Dimensions of the Unitech Screw Pumps Series 300

Models PV300D



Dimensions, mm														
Model	Dy1	Dy2	L	B	H	f	h	b	a	l	e1	c	c1	s
PV301D	50	40	850	185	212	200	100	160	140	190	340	-	570	12
PV301DMr	50	40	1050	185	240	235	130	160	140	200	345	-	735	12
PV301DMv	50	40	1050	175	242	235	130	140	270	300	345	-	735	13
PV302DM2Mr	80	65	1430	200	220	270	115	135	165	190	640	47	866	13
PV302DM1Mv	80	65	1770	455	355	300	250	260	360	400	640	-	1180	14