

## Unitech Screw Pumps Series 300 Models PV300MR, PV300Mv

### APPLICATION:

These pumps have the ability of a delicate straight-streaming transport of a wide range of liquids with or without solid fragments with viscosity up to 150 Pa.s. These pumps suck from depth up to 6 meters under their own level. Their constructions allow reversible depending on the direction of the electric motor.



### STANDARD EQUIPMENT:

Block pump – directly joined to the shaft of the reducer.

Standing on heels of the el. motor.

**\*Mr-modification (Gear-motor)**

**\*Mv-modification (Variable-speed drive)**

Material AISI 304/ EPDM

Standard Inlet / Outlet: male union joints DIN 11851

### OPTIONS:

**\*T-modification** (with double wall for cooling/heating)

**\*V-modification** (Double mechanical sealing)

**\*K-modification** (mounted on a trolley with Starter)

**\*B-modification** (By-pass with safety overflow valve)

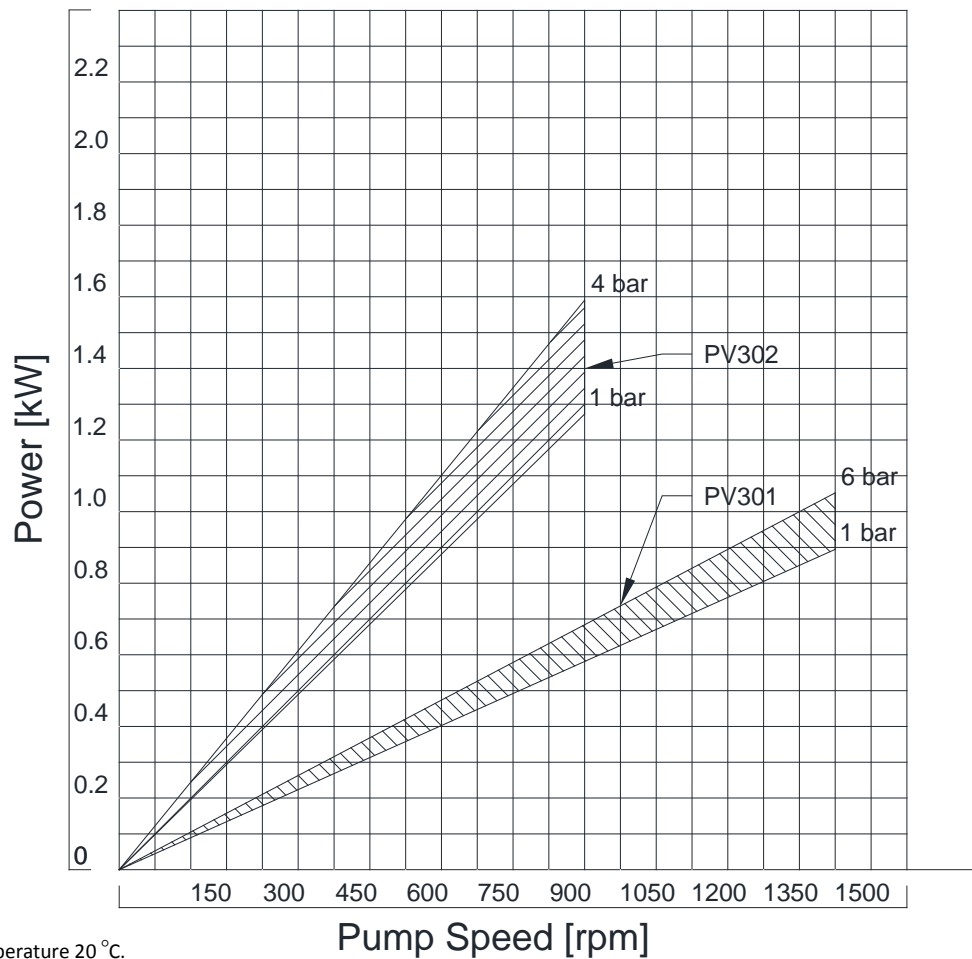
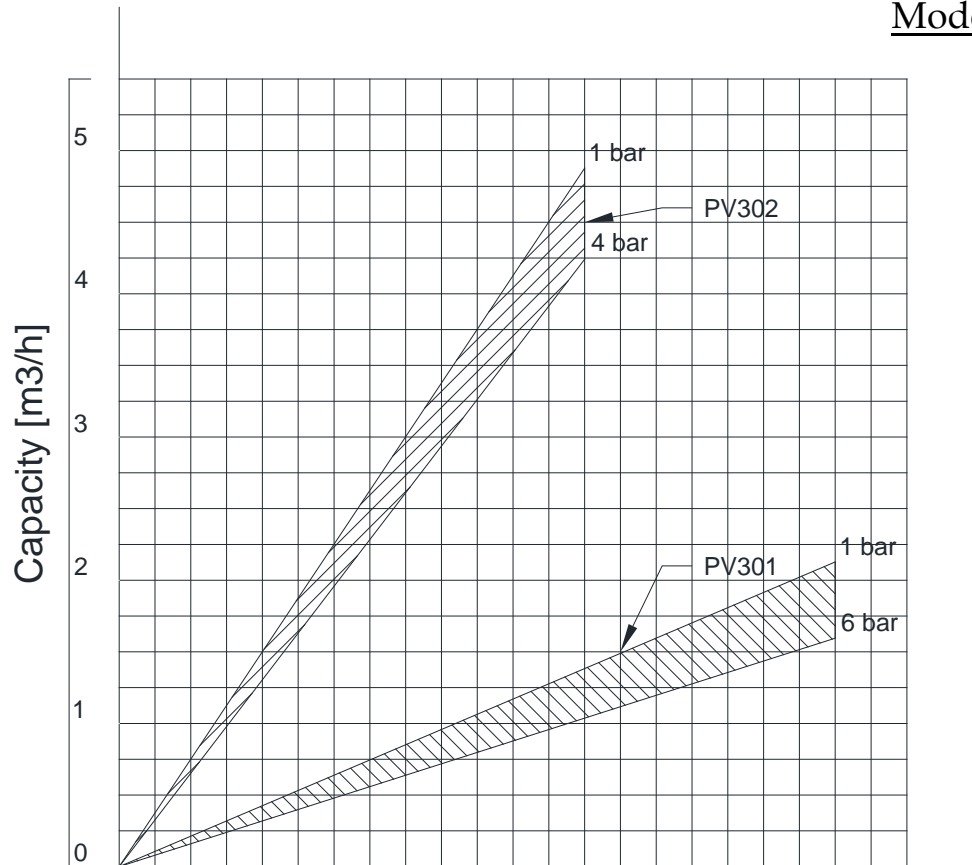
Material AISI 316

Connection: Garolla, SMS, Macon, Clamp, etc.

**\*Other Options on Request**

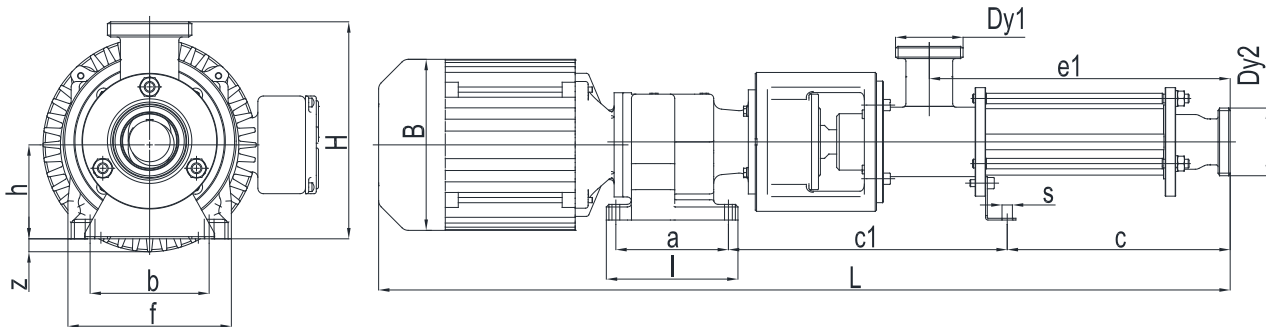
Technical Parameters								
Model	Capacity	Nominal Pressure	Electric Motor		Connection	Temperature	Viscosity	Weight
			kW	RPM				
PV301MR	0.5 m <sup>3</sup> /h	4.0 bar	0.75	470	male union joints DIN 11851	+2 ÷ +85°C	up to 150 Pa.s	22 kg
PV301Mv	0.2-1 m <sup>3</sup> /h		0.75	165-920				22 kg
PV302MR	1.5 m <sup>3</sup> /h		1.5	418				48 kg
PV302Mv	1-4 m <sup>3</sup> /h		1.5	190-980				70 kg

## Characteristic Curves of the Unitech Screw Pumps Series 300 Models PV300

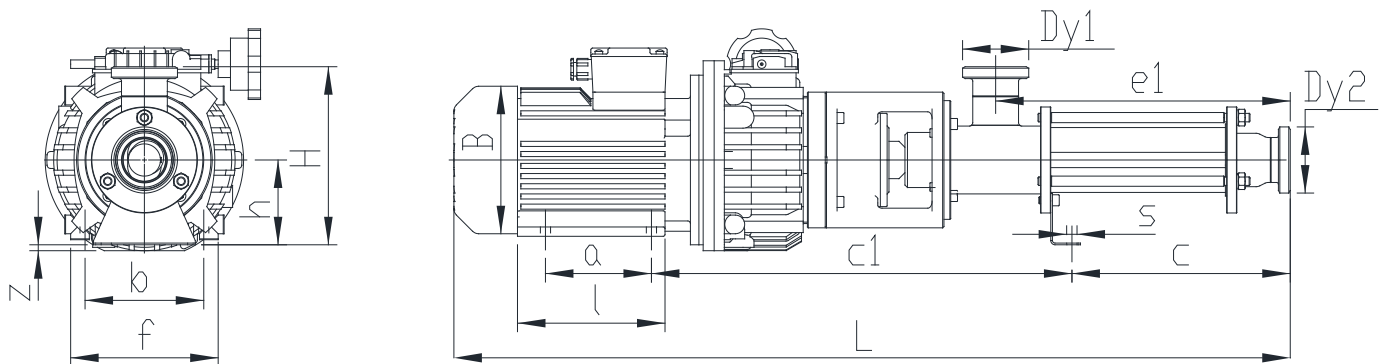


\*with fluid – water at temperature 20 °C.  
\*with pipes equal with pump's connections.

## Dimensions of the Unitech Screw Pumps Series 300 Models PV300MR, PV300Mv



Dimensions, mm															
Model	Dy1	Dy2	L	B	H	f	h	b	a	l	e1	c	c1	z	s
PV301MR	40	40	720	200	180	140	75	110	110	130	180	365	-	-	9
PV302MR	50	50	985	200	200	145	85	110	130	155	340	258	322	12	12



Dimensions, mm															
Model	Dy1	Dy2	L	B	H	f	h	b	a	l	e1	c	c1	z	s
PV301Mv	40	40	700	233	215	170	115	140	250	270	180	290	-	4	9
PV302Mv	50	50	1100	260	230	240	125	205	115	140	340	260	345	-	12