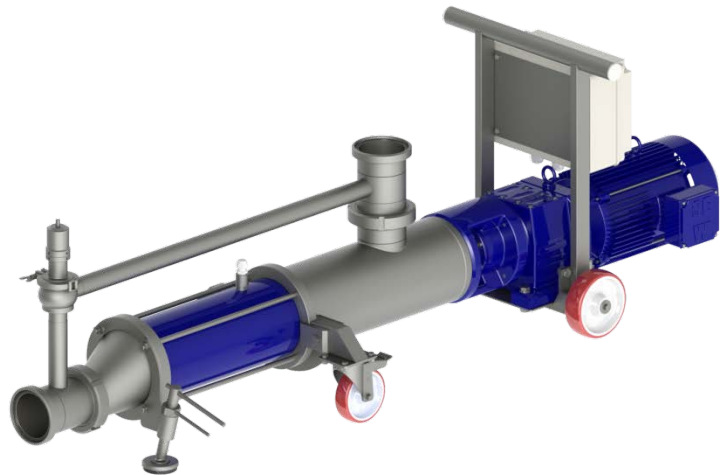


# Unitech Screw Pumps Series 310

## Models PV310M2MR K

### APPLICATION:

These pumps have the ability of a delicate straight-streaming transport of a wide range of liquids with or without solid fragments with viscosity up to 150 Pa.s. These pumps suck from depth up to 6 meters under their own level. Their construction allows reversible depending on the direction of the electric motor.



### STANDARD EQUIPMENT:

Material AISI 304/ NBR

Standard Inlet / Outlet: male union joints DIN 11851

**\*M2-modification** (Geared body for direct joining with standard el. motor mounted on frame)

**\*Mr-modification** (Gear-motor)

**\*K-modification** (mounted on a trolley with Starter)

### OPTIONS:

**\*B-modification** (By-pass with safety overflow valve)

**\*Inverter** – Electrical variable speed

**\*Fr** –Protective dry run

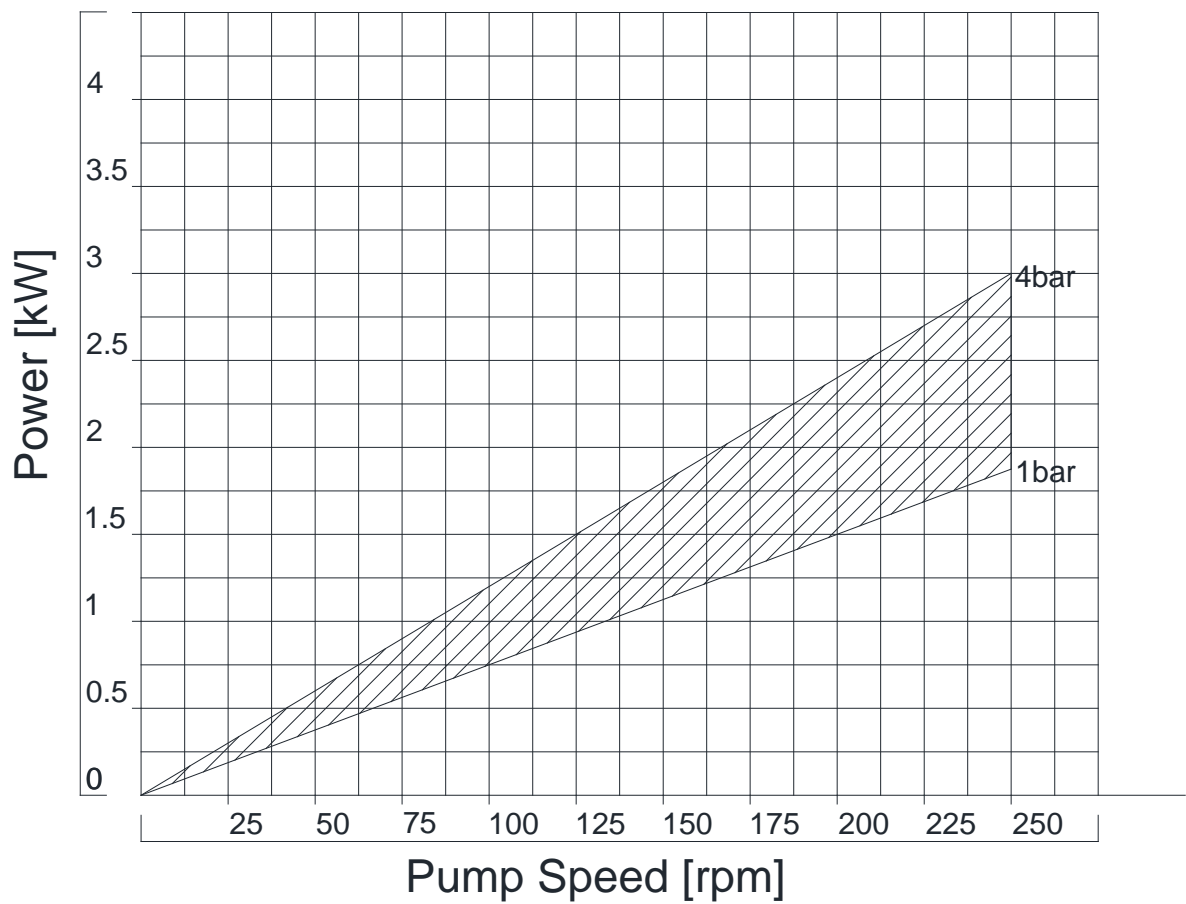
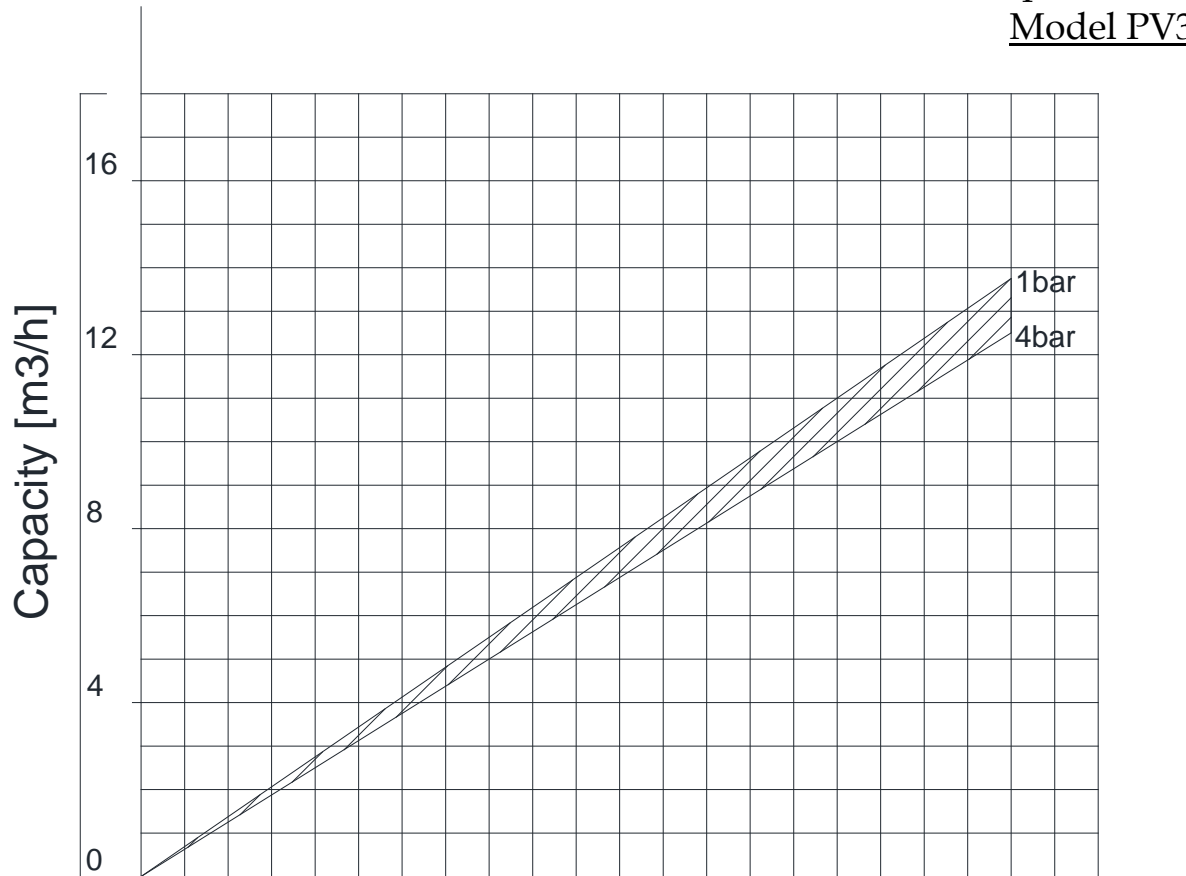
Material AISI 316

Connection: Garolla, SMS, Macon, Clamp, etc.

**\*Other Options on Request**

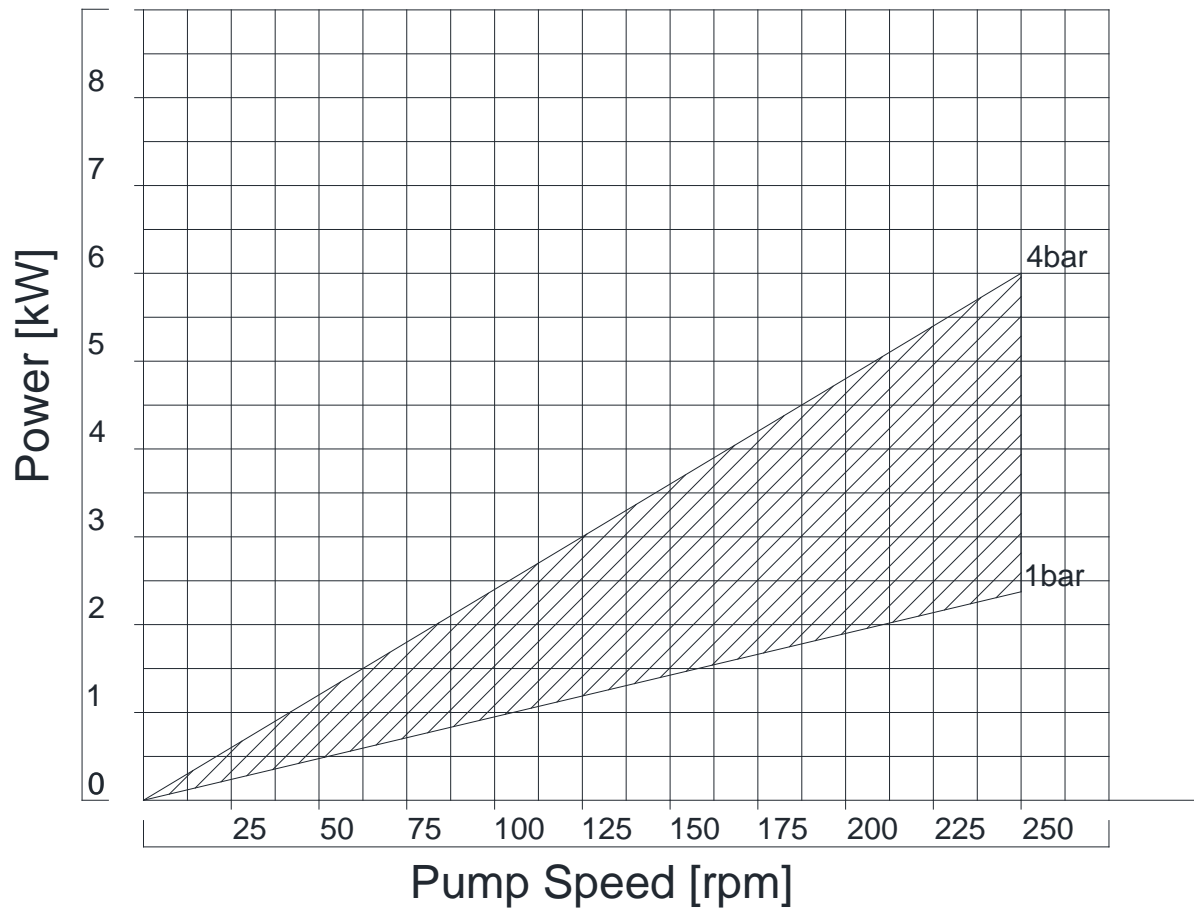
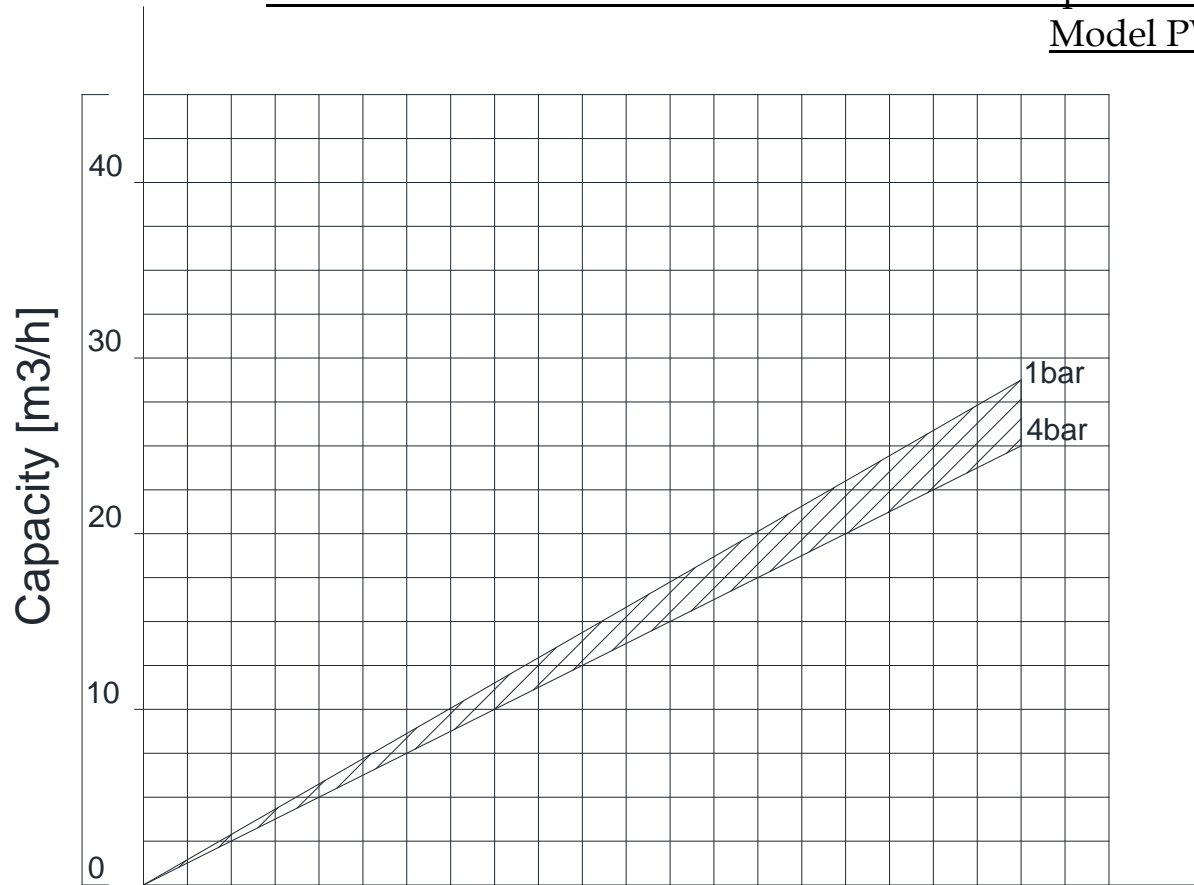
Technical Parameters								
Model	Capacity	Nominal Pressure	Electric Motor		Connection	Temperature	Viscosity	Weight
			kW	RPM				
PV318M2MR	10 m <sup>3</sup> /h	4.0 bar	3.0	200	male union joints DIN 11851	+2 ÷ +85°C	up to 150 Pa.s	145 kg
PV315M2MR	20 m <sup>3</sup> /h		5.5					195 kg
PV316M2MR	30 m <sup>3</sup> /h		7.5					240 kg
PV317M2MR	40 m <sup>3</sup> /h		11.0					280 kg
PV319M2MR	50 m <sup>3</sup> /h		15.0	150				350 kg

Characteristic Curves of the Unitech Screw Pumps Series 310  
Model PV318



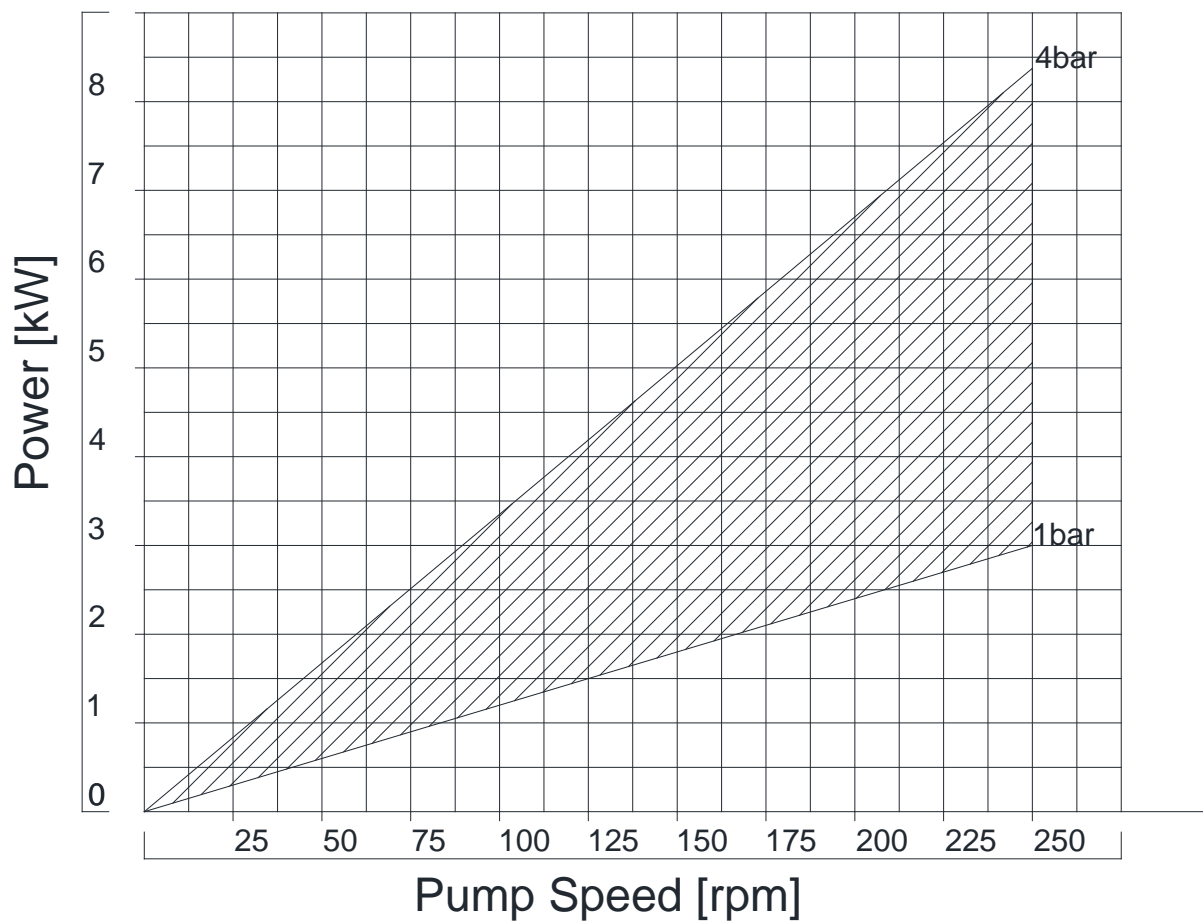
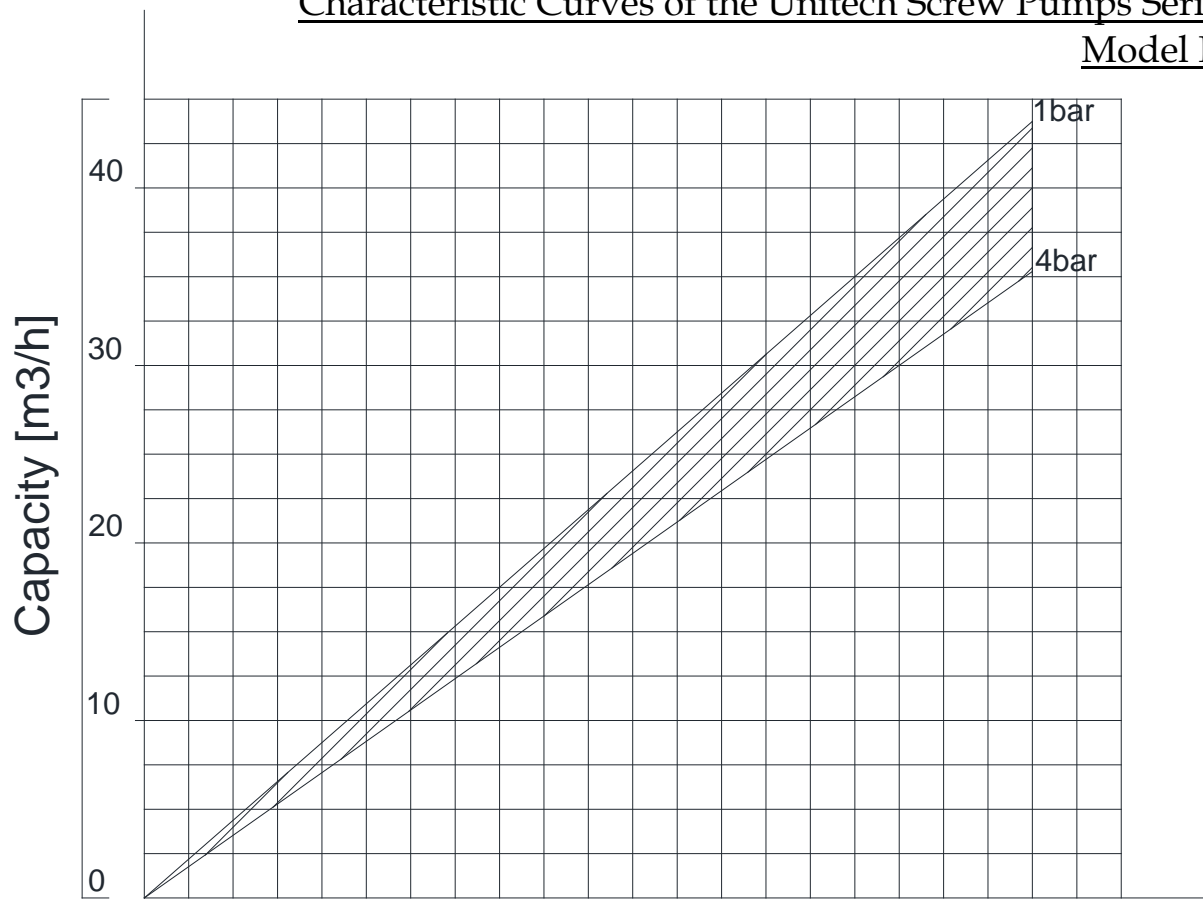
\*with fluid – water at temperature 20 °C.  
\*with pipes equal with pump's connections.

Characteristic Curves of the Unitech Screw Pumps Series 310  
Model PV315



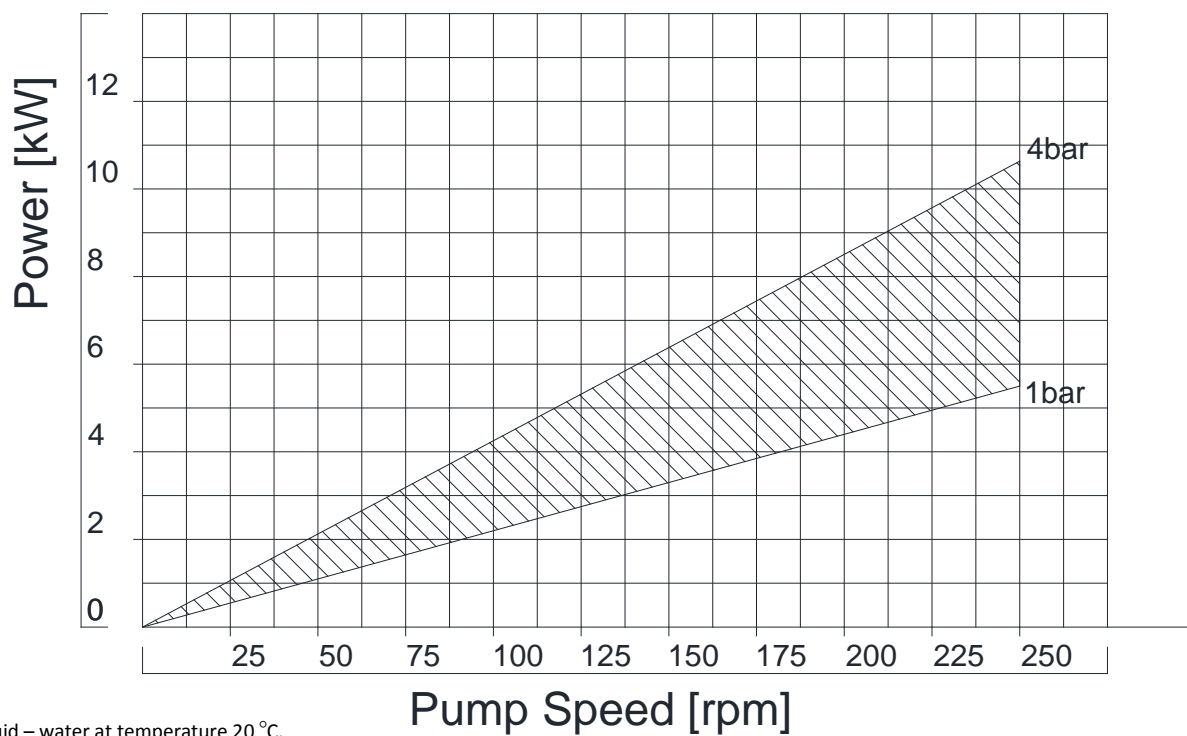
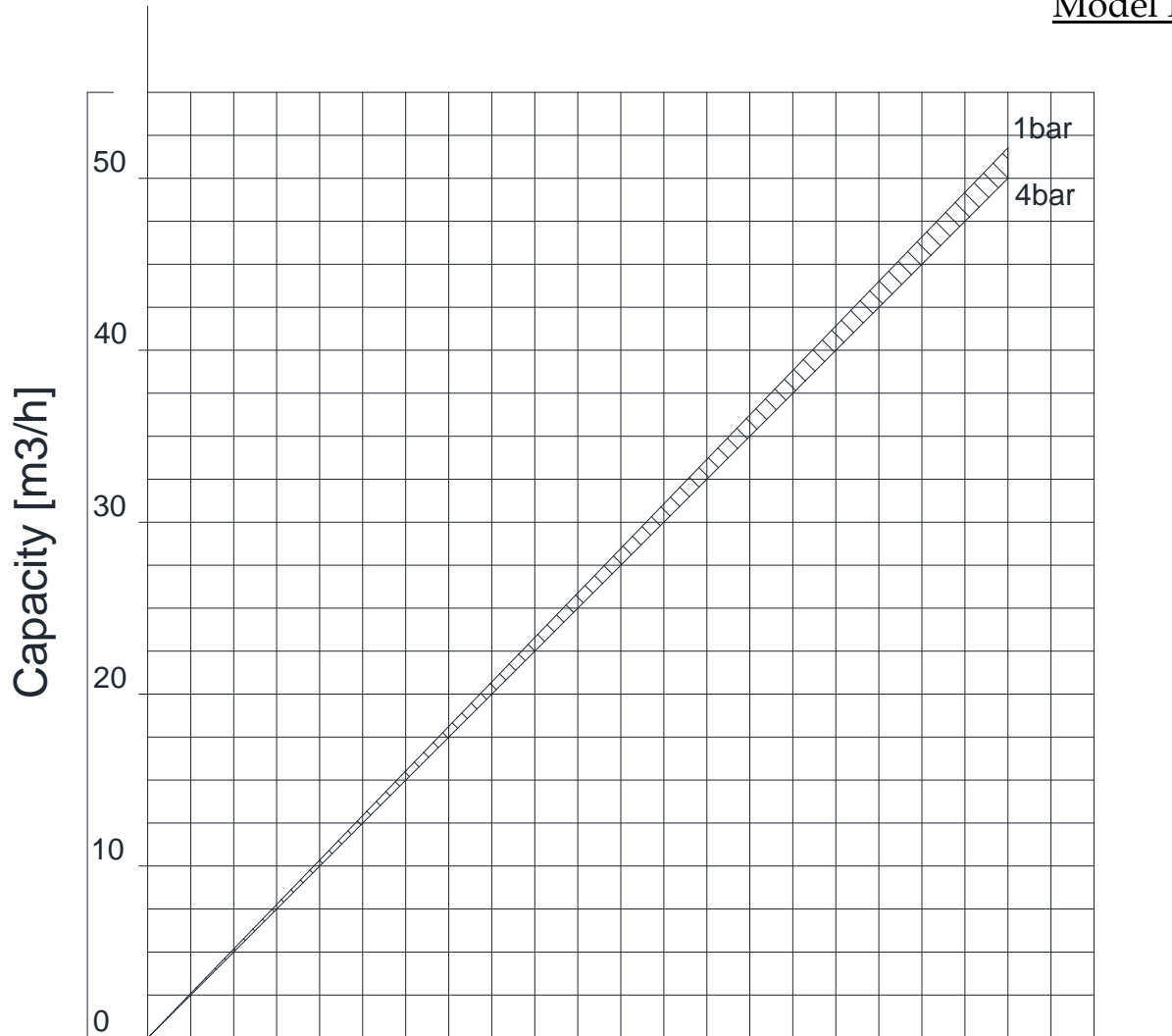
\*with fluid – water at temperature 20 °C.  
\*with pipes equal with pump's connections.

Characteristic Curves of the Unitech Screw Pumps Series 310  
Model PV316



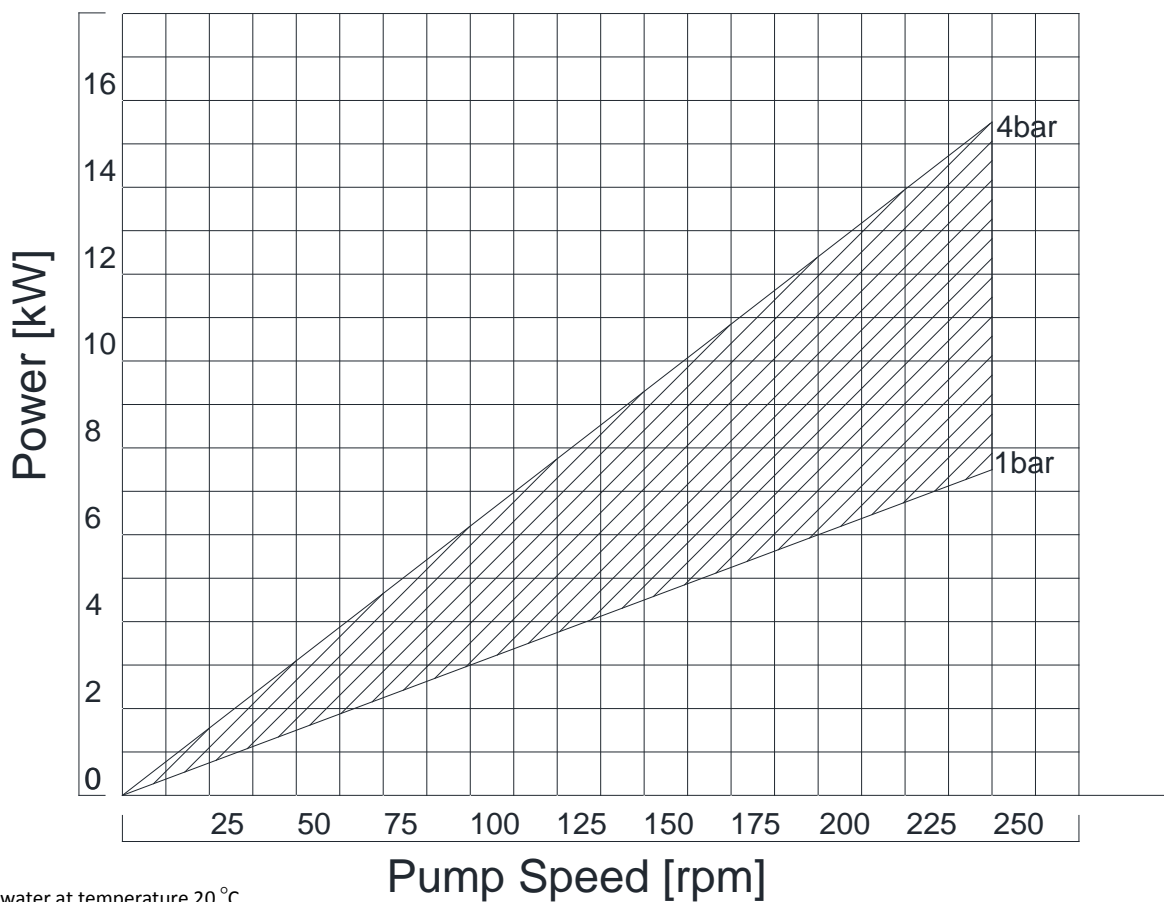
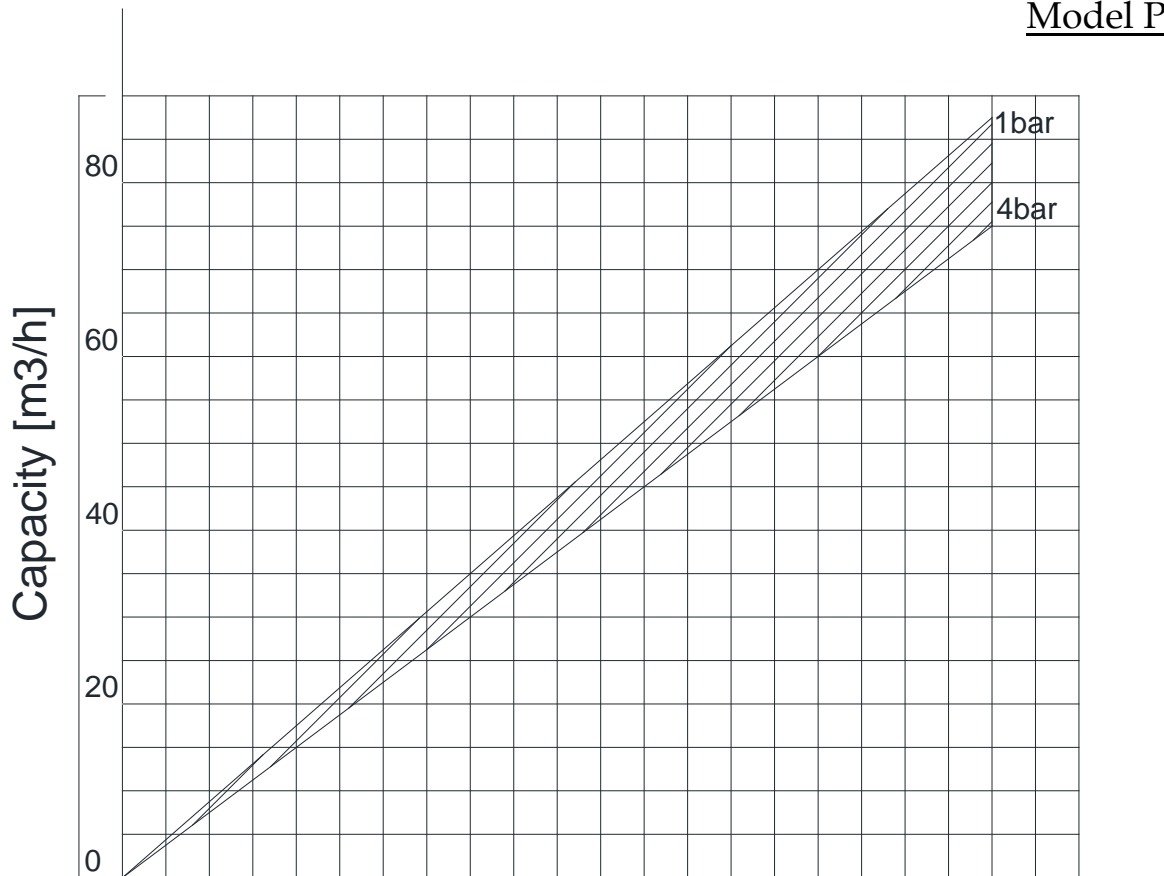
\*with fluid – water at temperature 20 °C.  
\*with pipes equal with pump's connections.

Characteristic Curves of the Unitech Screw Pumps Series 310  
Model PV317



\*with fluid – water at temperature 20 °C.  
\*with pipes equal with pump's connections.

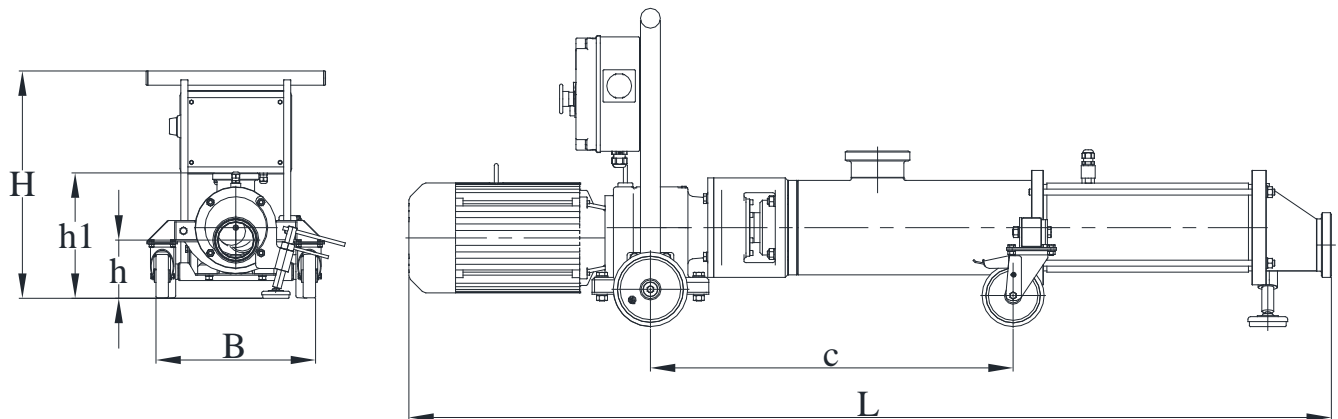
Characteristic Curves of the Unitech Screw Pumps Series 310  
Model PV319



\*with fluid – water at temperature 20 °C.  
\*with pipes equal with pump's connections.

## Dimensions of the Unitech Screw Pumps Series 310

### Models PV310M2MR K



Dimensions, mm							
Model	Dy1	Dy2	L	B	H	h	h1
PV318M2MR K	100	80	1650	500	640	150	332
PV315M2MR K	100	100	1860	550	640	164	353
PV316M2MR K	125	100	1965	570	640	156	495
PV317M2MR K	125	125	2115	810	630	153	343
PV319M2MR K	125	125	2665	900	700	155	495