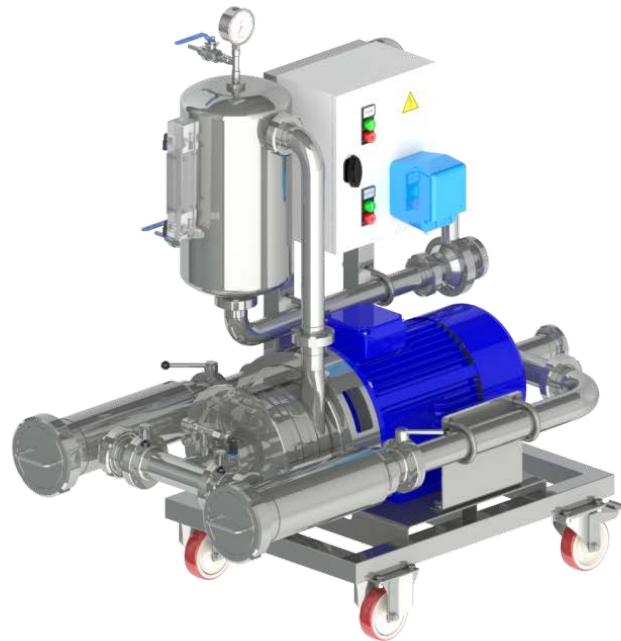


Unitech Flotation Pumps Series 180

APPLICATION:

These pumps find application for clarification of liquids, such as mash, juice and others by flotation process.



STANDARD EQUIPMENT:

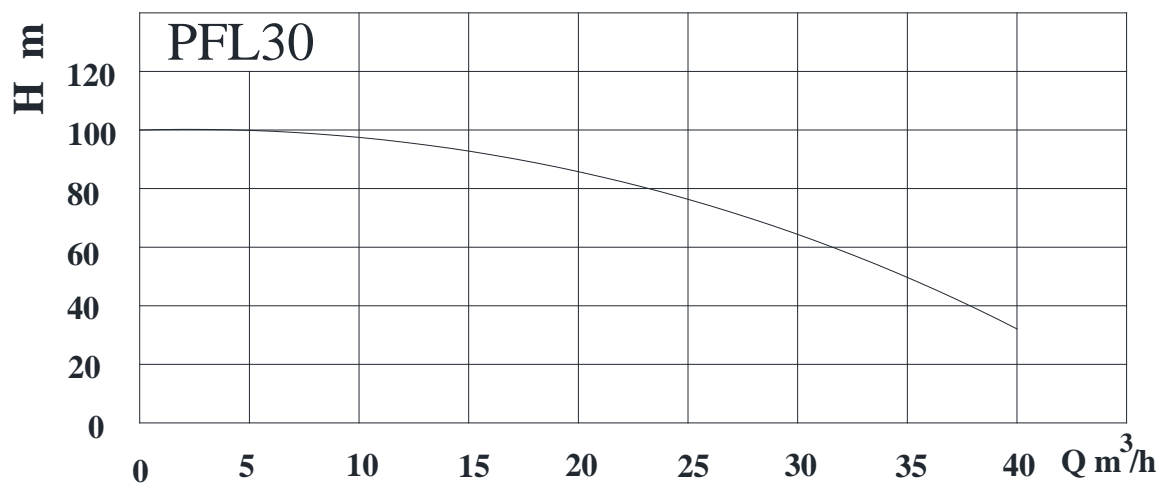
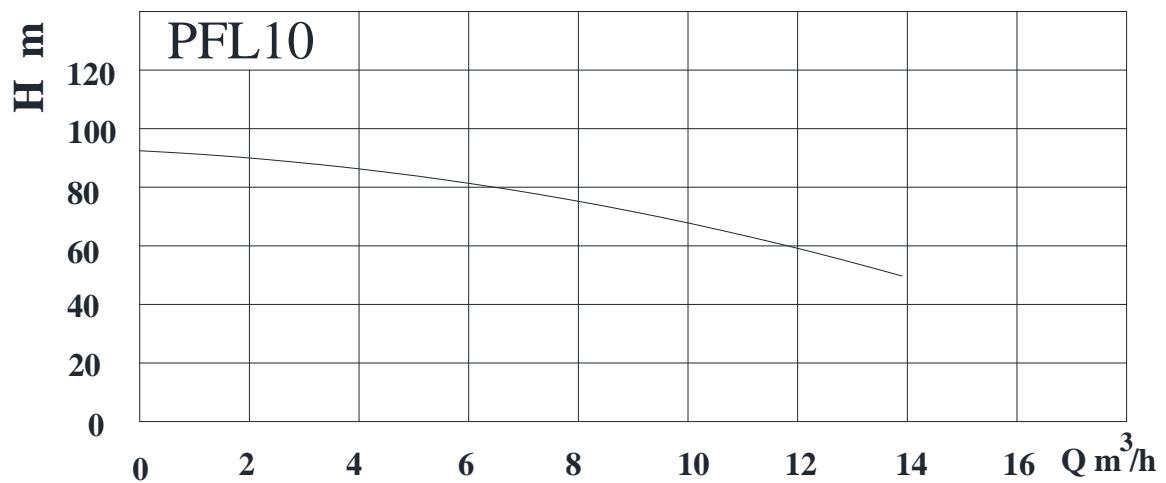
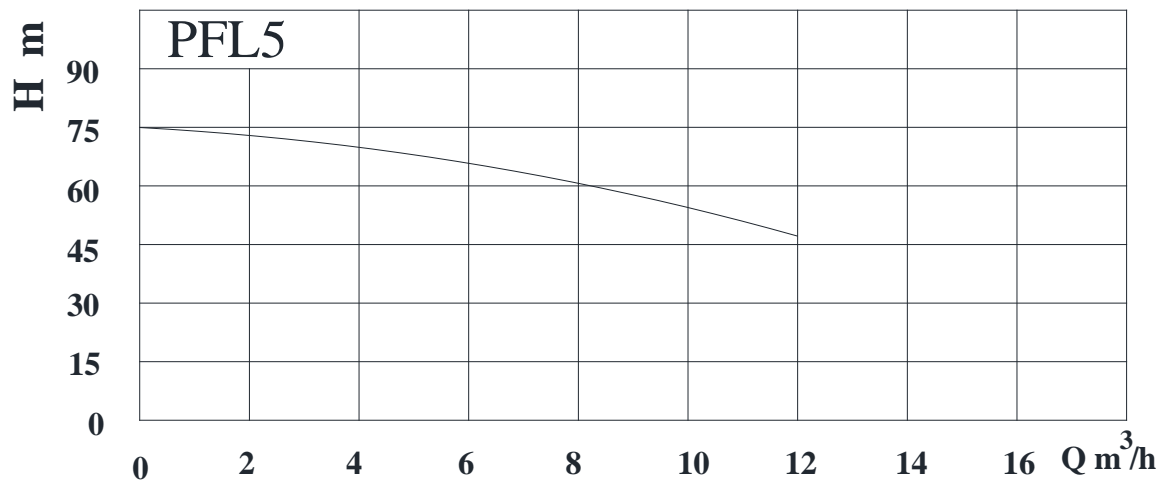
Block pump – directly joined to the shaft of the electric motor.
 Mounted on trolley with starter
 Material AISI 304
 Standard Inlet / Outlet: male union joints DIN 11851
 Pneumatic preparing group with pressure regulator and filters up to 0,02 μ and activated carbon filter.
 Gas- meter with regulation
 Add agents function
 Sample valve
 Pressure meter for outlet pressure
 Filter for large parts

OPTIONS:

*Dosing pump for agents
 *Smooth capacity control
 Material AISI 316
 Connection: Garolla, SMS, Macon, Clamp, etc.
***Other Options on Request**

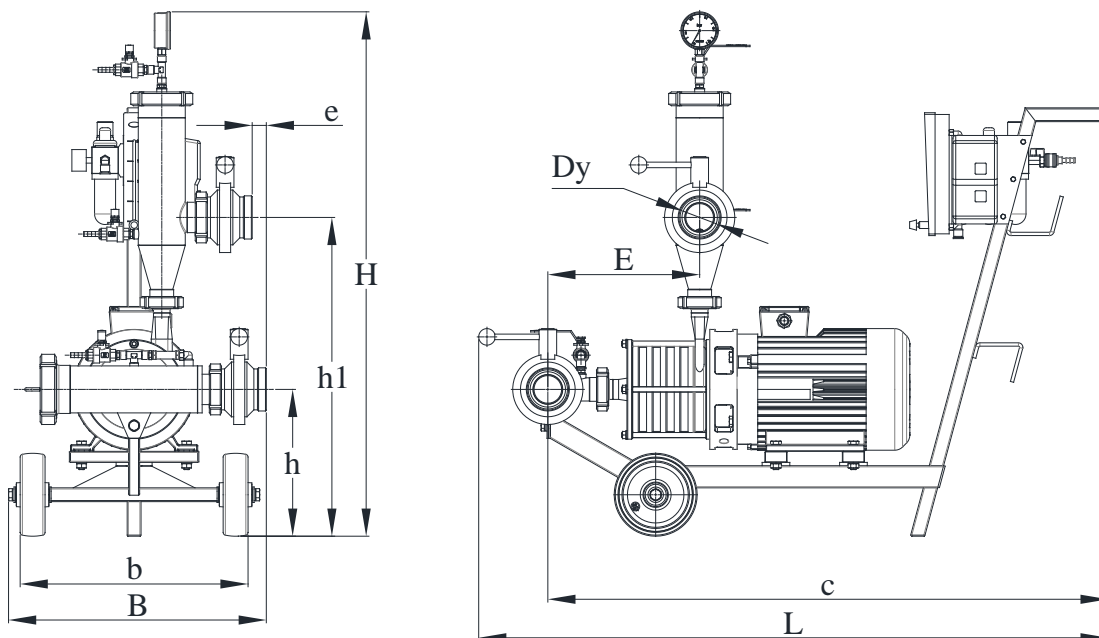
Technical Parameters									
Model	Capacity	Working Pressure	Maximum Pressure	Gas Flow	Electric Motor		Connection	Temperature	Weight
					kW	RPM			
PFL5	5 m ³ /h	6.0 bar	9.0 bar	up to 6 lpm	3.0	2820	male union joints DIN 11851	+2 ÷ +95°C	66 kg
PFL10	10 m ³ /h				4.0	2870			68 kg
PFL30	30 m ³ /h				11.0	2890			190 kg

Characteristic Curves of the Unitech Flotation Pumps Series 180



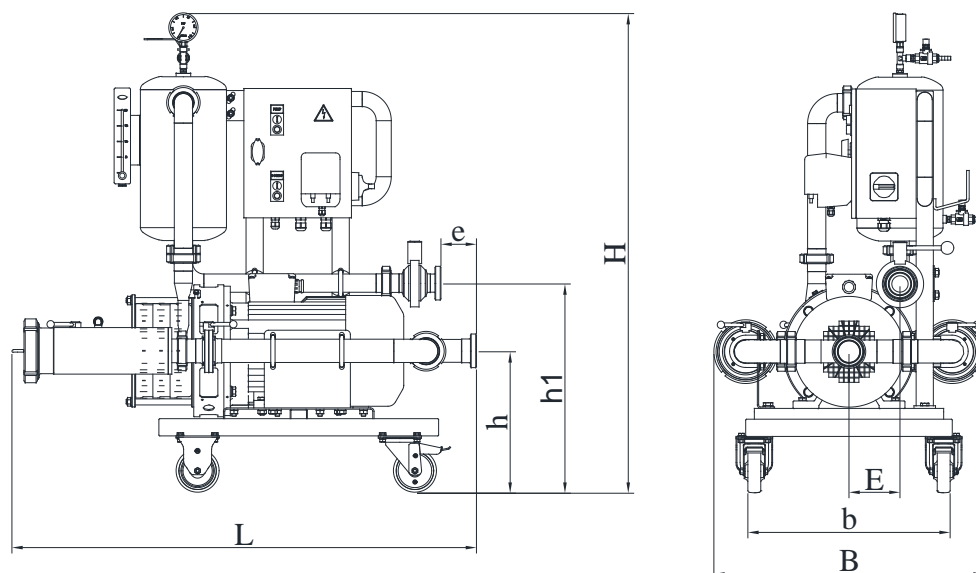
*with fluid – water at temperature 20 °C.
 *with pipes equal with pump's connections.

Dimensions of the Unitech Flotation Pumps Series 180



Dimensions, mm

Model	Dy1	Dy2	L	B	H	h	h1	E	e	b	c
PFL5	50	50	1085	465	945	265	575	250	25	415	990
PFL10	50	50	1110	465	945	265	575	275	25	415	1015



Dimensions, mm

Model	Dy1	Dy2	L	B	H	h	h1	E	e	b
PFL30	65	65	1080	630	1115	328	485	119	82	450

6600 Kardzhali , Bulgaria
 East Industrial Zone
 Post box 187
 Tel: +35936166650
 Fax: +35936166651
 E-mail: unitech@unitech.bg
 Web: www.unitech.bg