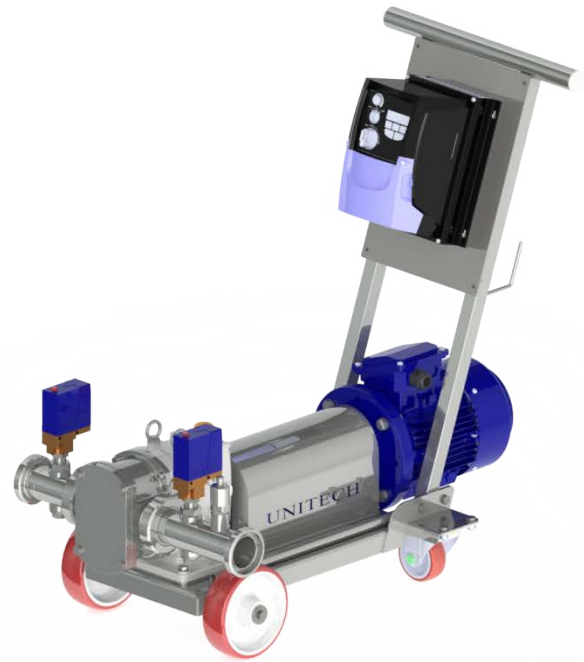


Unitech Lobe Pumps Series 800

Models APLB800

APPLICATION:

Transport of foaming and delicate fluids with a wide range of contents and viscosities. Inlet/ Outlet rotation possibility. They are equipped with a safety device against overloading the outlet pressure. The pumps of this series have stainless steel casing details and rubberized rotors.



STANDARD EQUIPMENT:

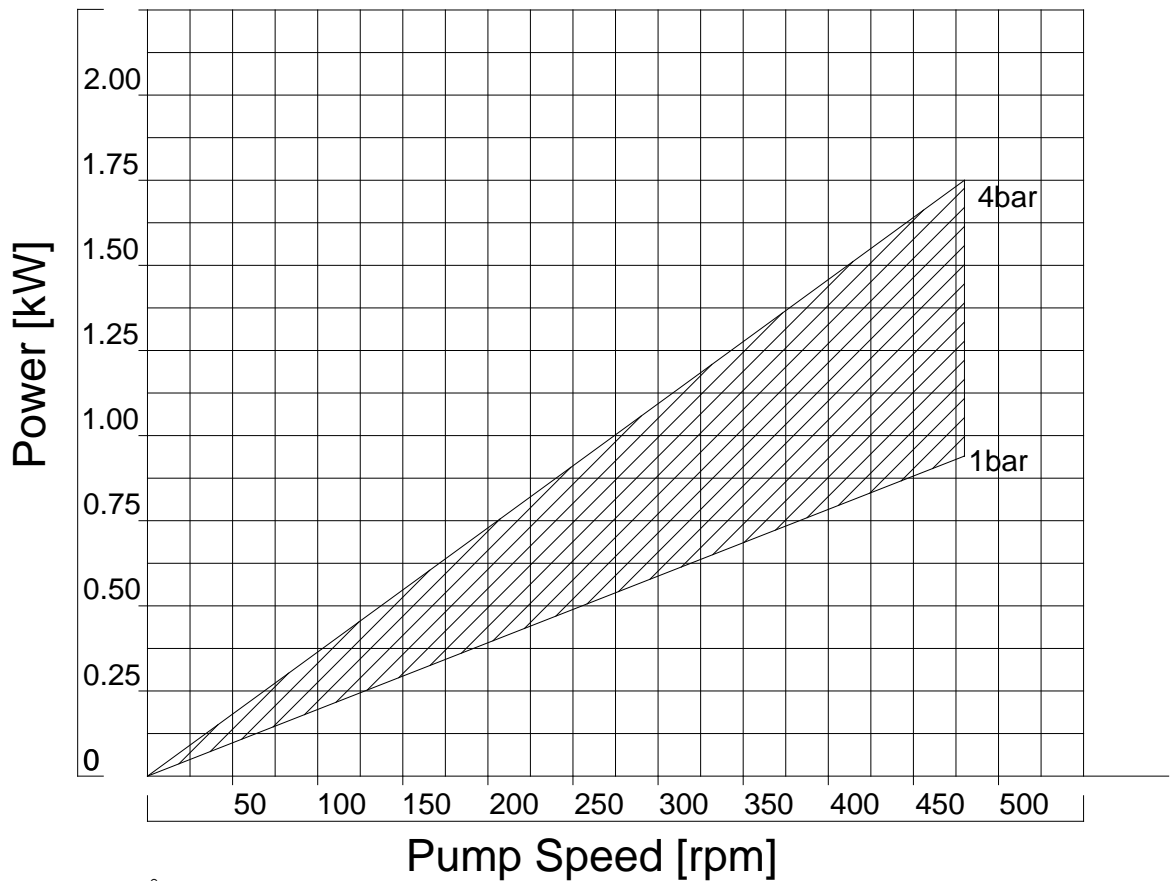
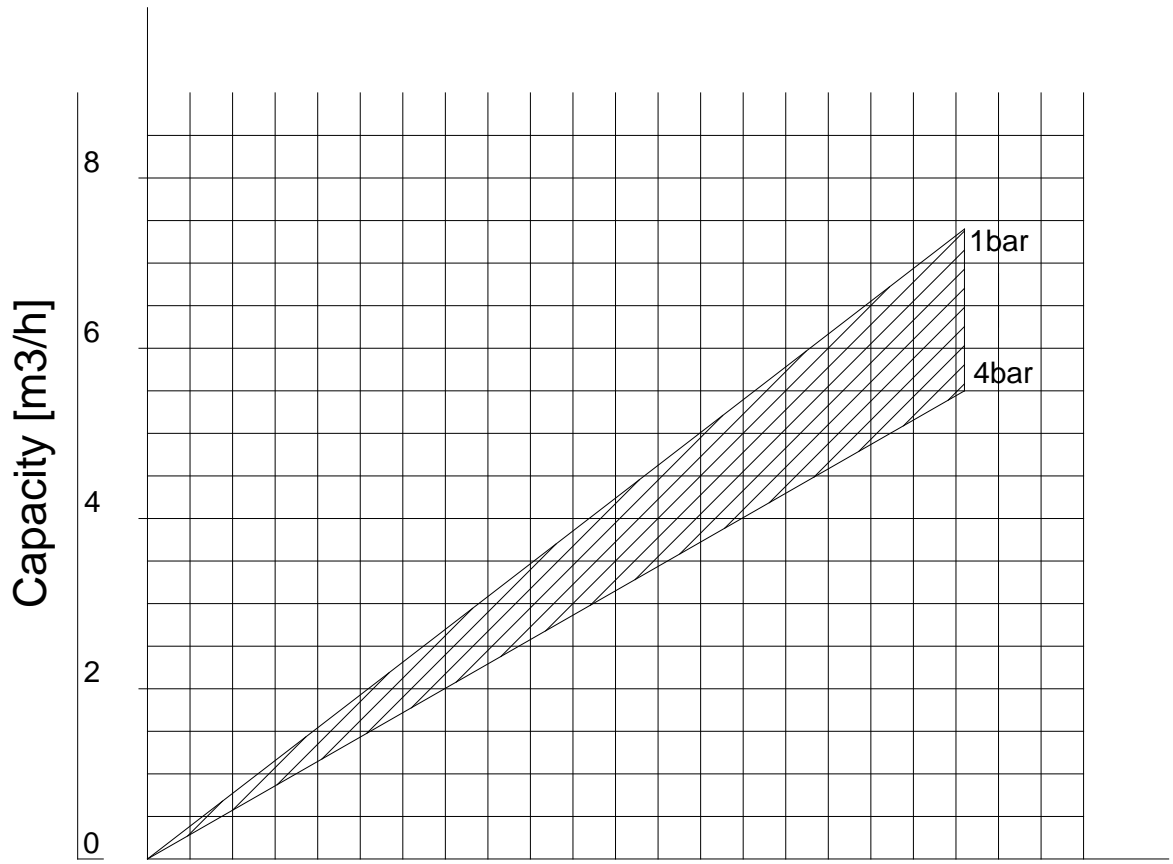
Pump with own geared body connected to the standard drive.
 Pump unit place on stainless steel trolley
 Steel materials in contact with product AISI 316
 Helical Three Lobes EPDM, FDA certificated
 Stainless steel control cabinet including Inverter
 Flow reverse
 Two pieces safety anti over load pressure switches for each direction
 Standard Inlet / Outlet: male union joints DIN 11851
 Power supply 3ph 400V 50Hz

OPTIONS:

Shut off valve with electro- actuator
 Anti-dry running protection
 Motor Servo- ventilation
***RC - Remote control (Full control)**
 Connection: Garolla, SMS, Macon, Clamp, etc.
***Other Options on Request**

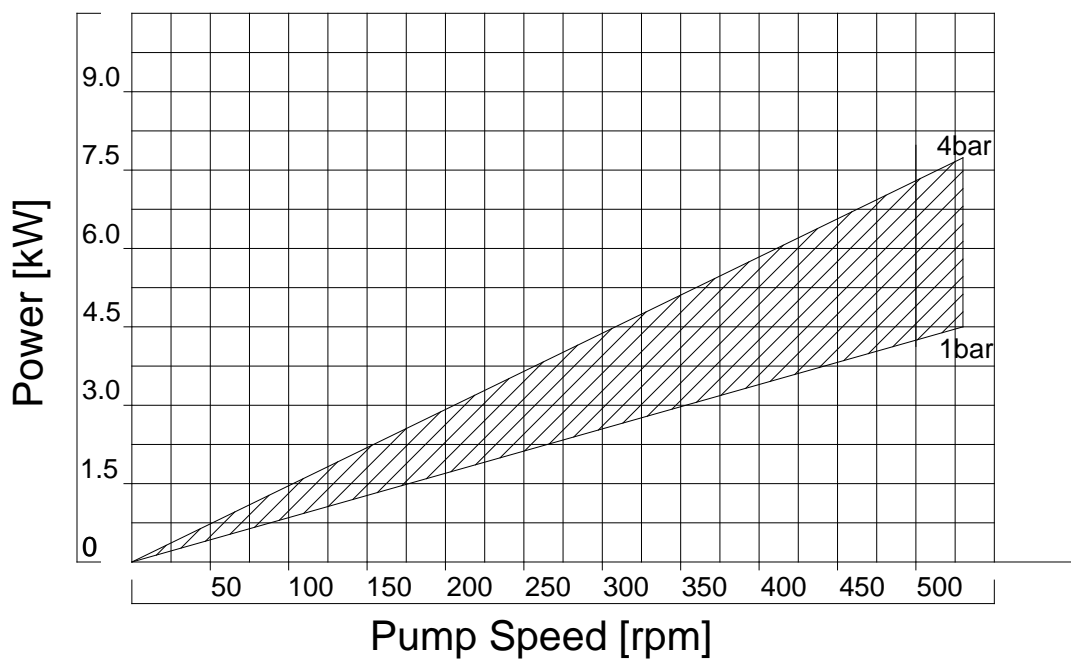
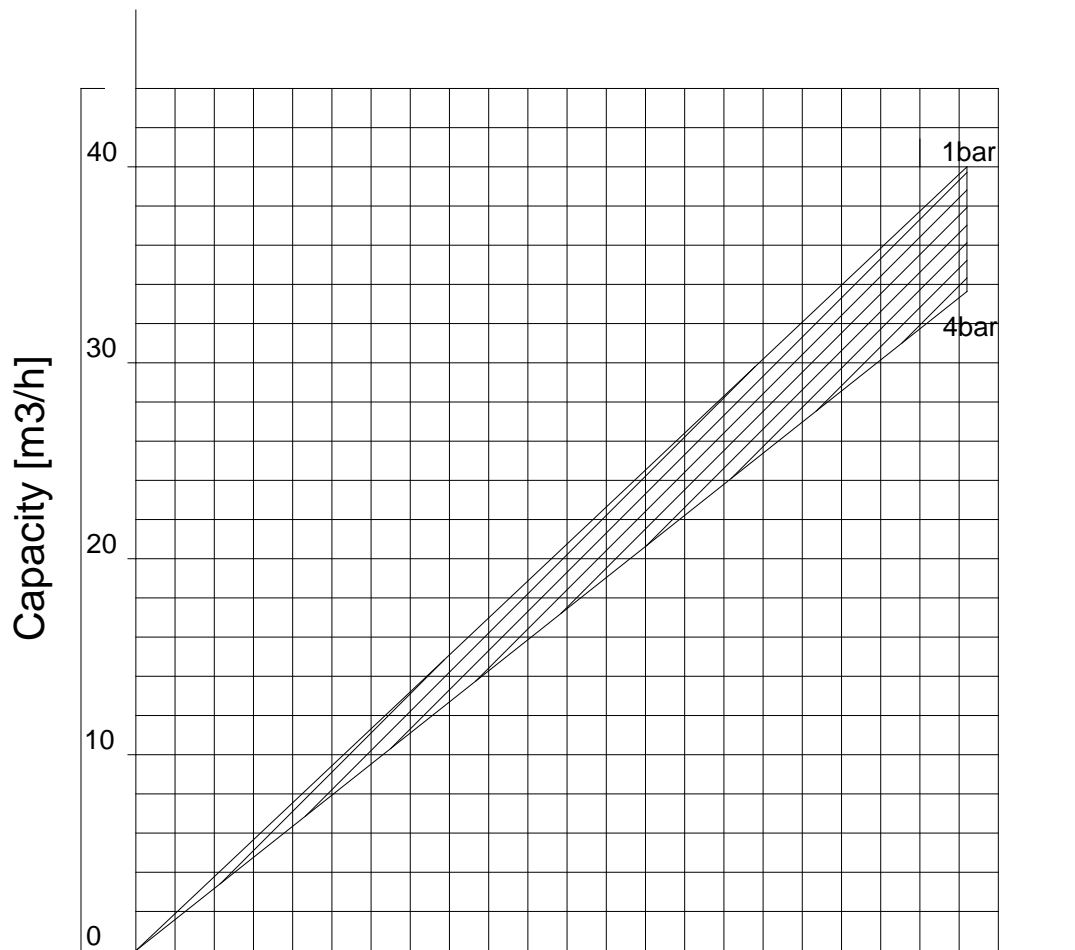
Technical Parameters							
Model	Capacity	Nominal Pressure	Electric Motor		Connection	Temperature	Weight
			kW	RPM			
APLB811	5.0 m ³ /h	4.0 bar	1.50	460	male union joints DIN 11851	+2 ÷ +85°C	110 kg
APLB813	35.0 m ³ /h		7.50	530			250 kg

Characteristic Curves of the Unitech Lobe Pumps Series 800
Model APLB811



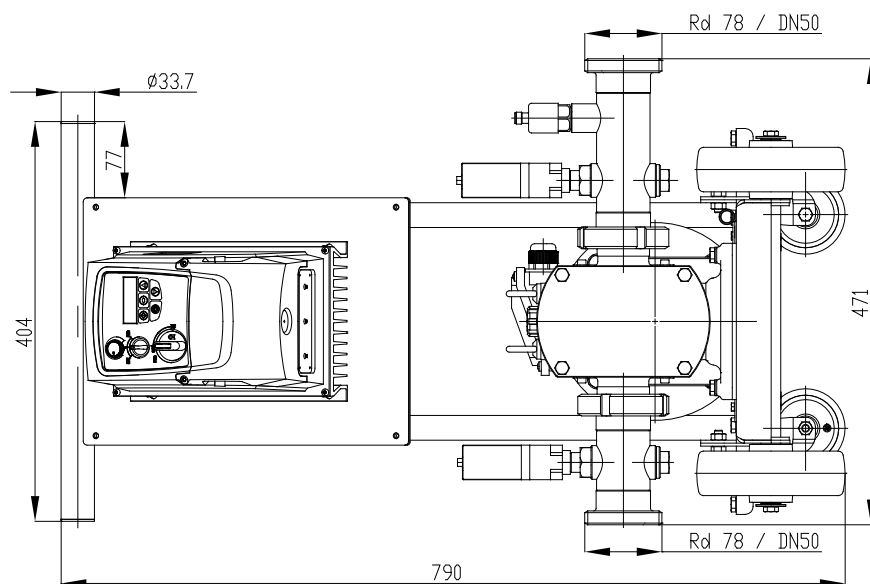
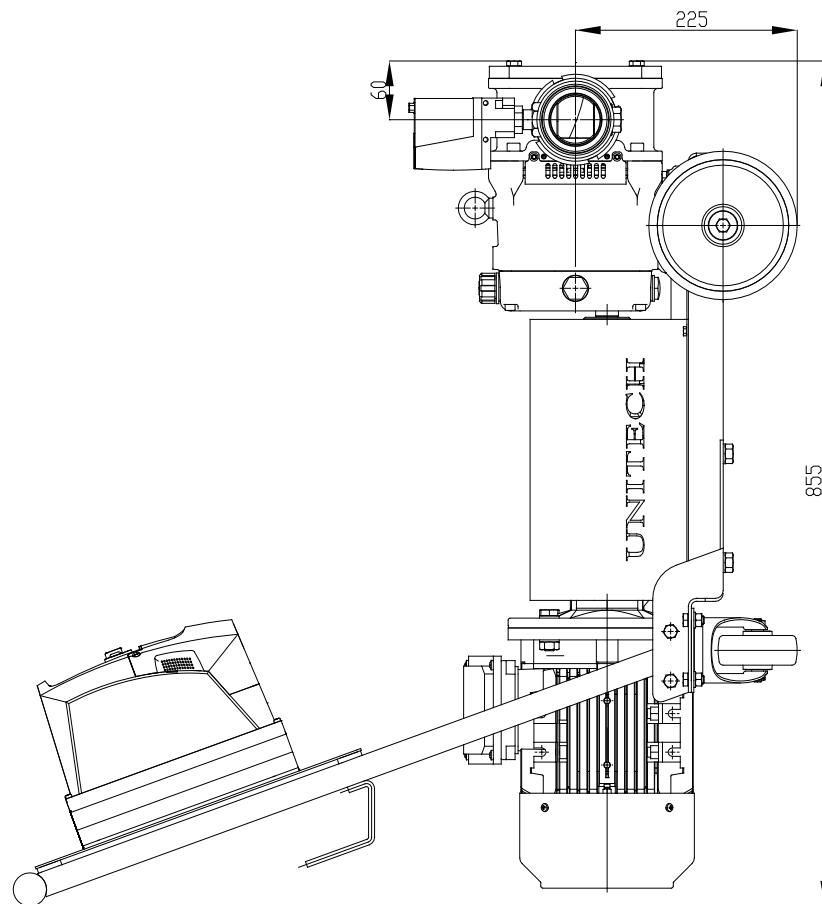
*with fluid – water at temperature 20 °C.
*with pipes equal with pump's connections.

Characteristic Curves of the Unitech Lobe Pumps Series 800
Model APLB813

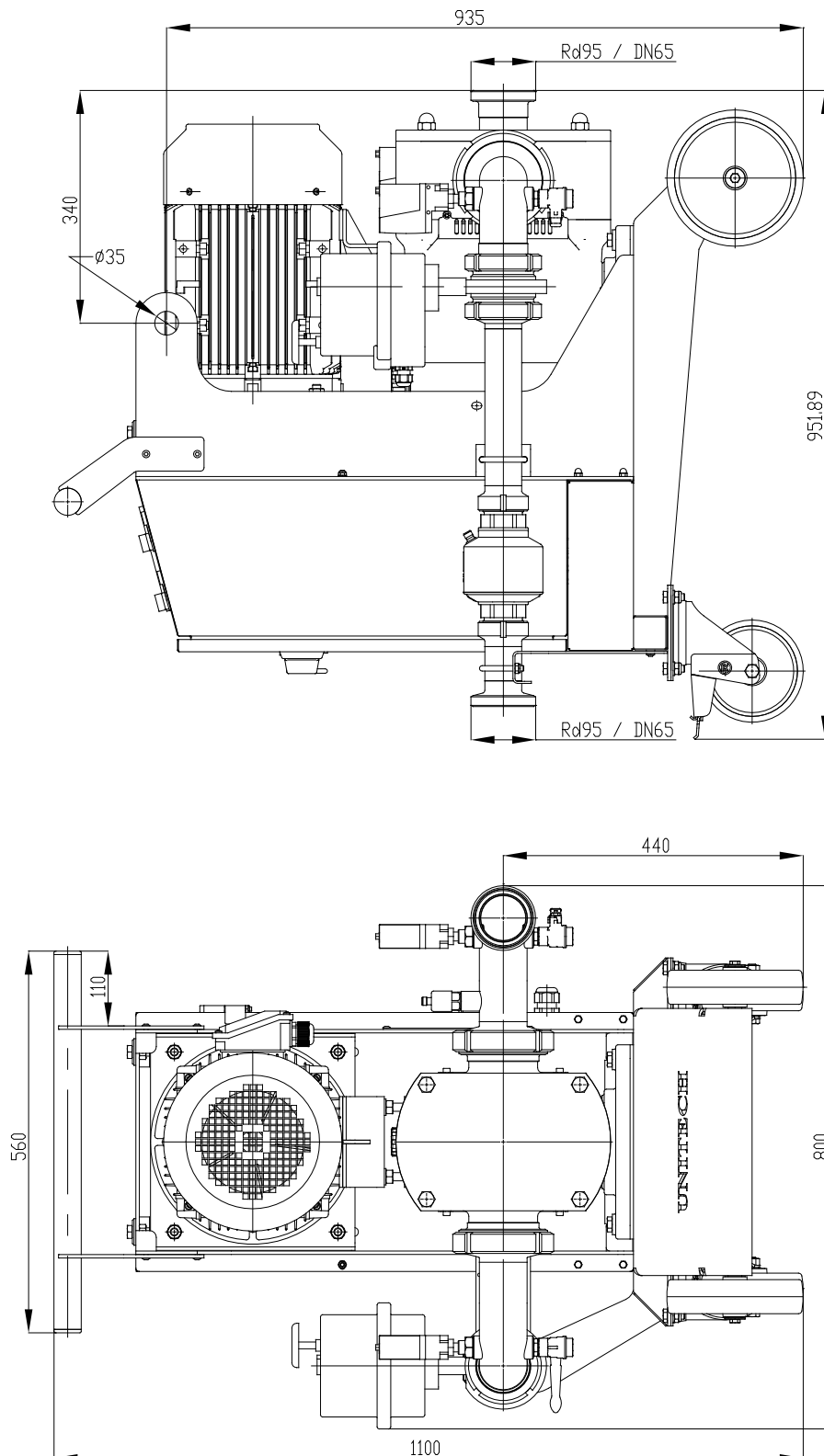


*with fluid – water at temperature 20 °C.
*with pipes equal with pump's connections.

Dimensions of the Unitech Lobe Pumps Series 800
Model APLB811



Dimensions of the Unitech Lobe Pumps Series 800
Model APLB813



6600 Kardzhali, Bulgaria
 East Industrial Zone
 Chetvarta Industrialna Str. 5
 Tel: +359888247881
 Tel: +35936166650
 E-mail: unitech@unitech.bg
 Web: www.unitech.bg