

# Unitech Lobe Pumps Series 800

## Models APLB800FM

### APPLICATION:

Transport of foaming and delicate fluids with a wide range of contents and viscosities. Inlet/Outlet rotation possibility. They are equipped with a safety device against overloading the outlet pressure. The pumps of this series have stainless steel casing details and rubberized rotors.



### STANDARD EQUIPMENT:

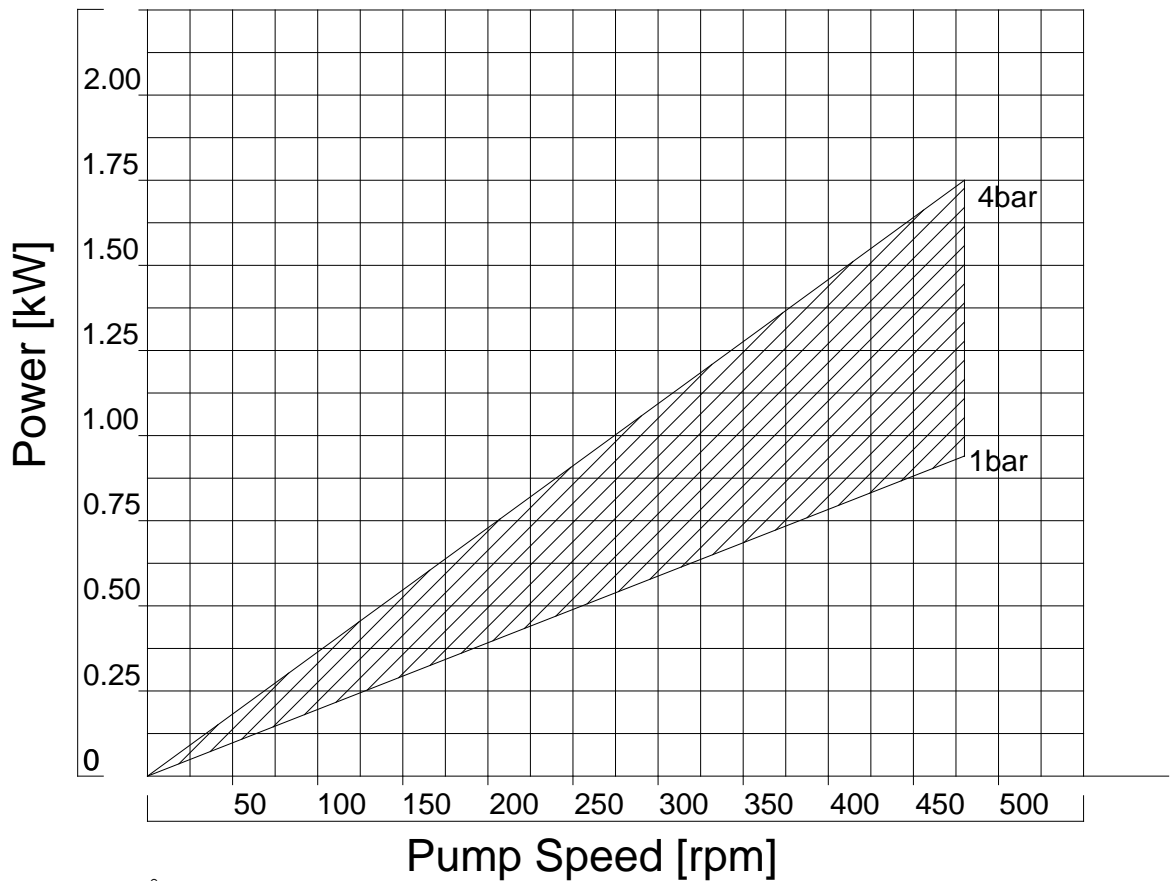
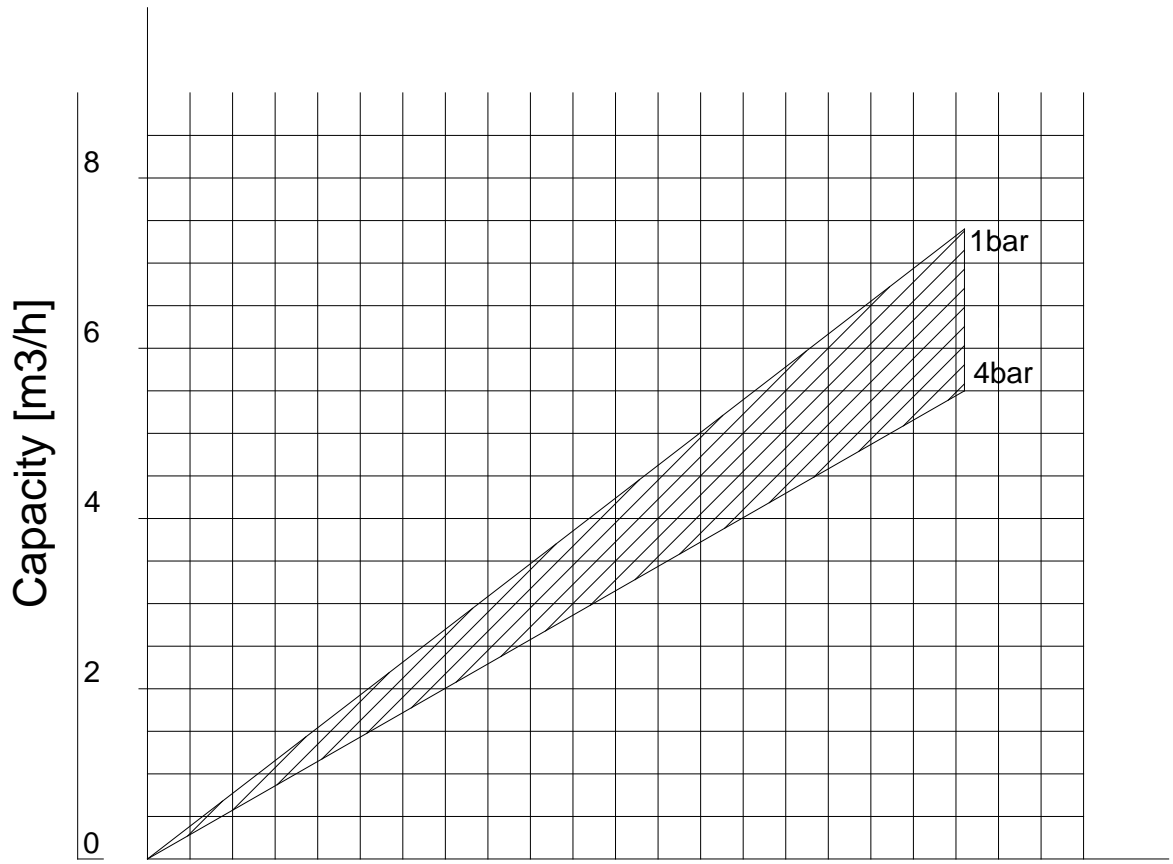
Pump with own geared body connected to the standard drive.  
 Pump unit place on stainless steel trolley  
 Steel materials in contact with product AISI 316  
 Helical Three Lobes EPDM, FDA certificated  
 Stainless steel control cabinet including Inverter  
 Flow reverse  
 Two pieces safety anti over load pressure switches for each direction  
 Standard Inlet / Outlet: male union joints DIN 11851  
 Power supply 3ph 400V 50Hz

### OPTIONS:

Shut off valve with electro- actuator  
 Anti-dry running protection  
 Motor Servo- ventilation  
**\*RC - Remote control (Full control)**  
 Connection: Garolla, SMS, Macon, Clamp, etc.  
**\*Other Options on Request**

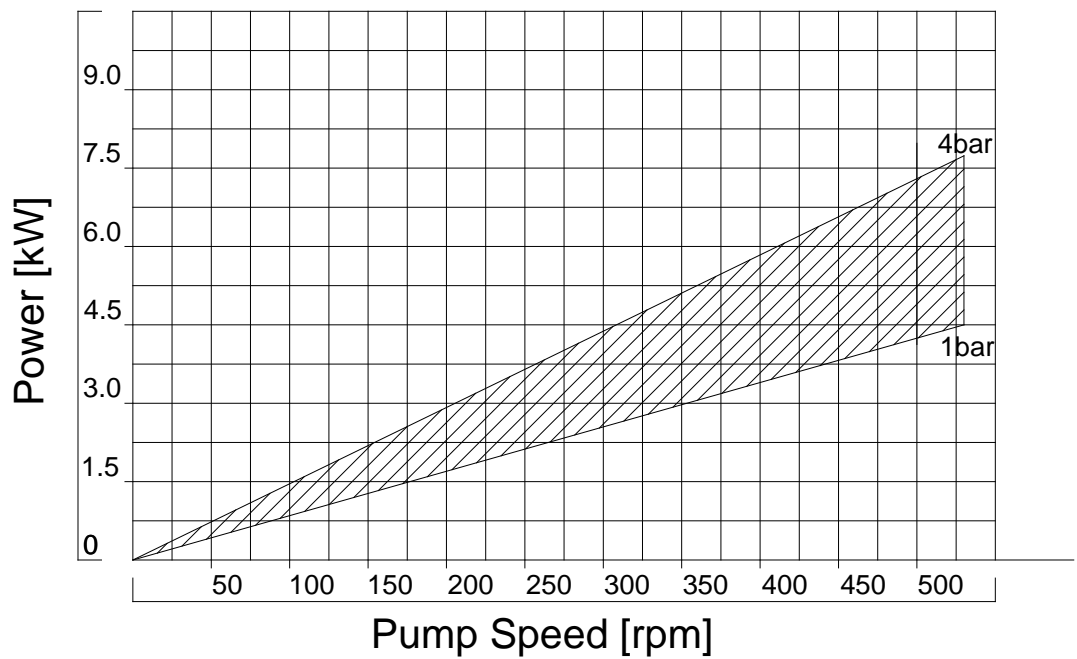
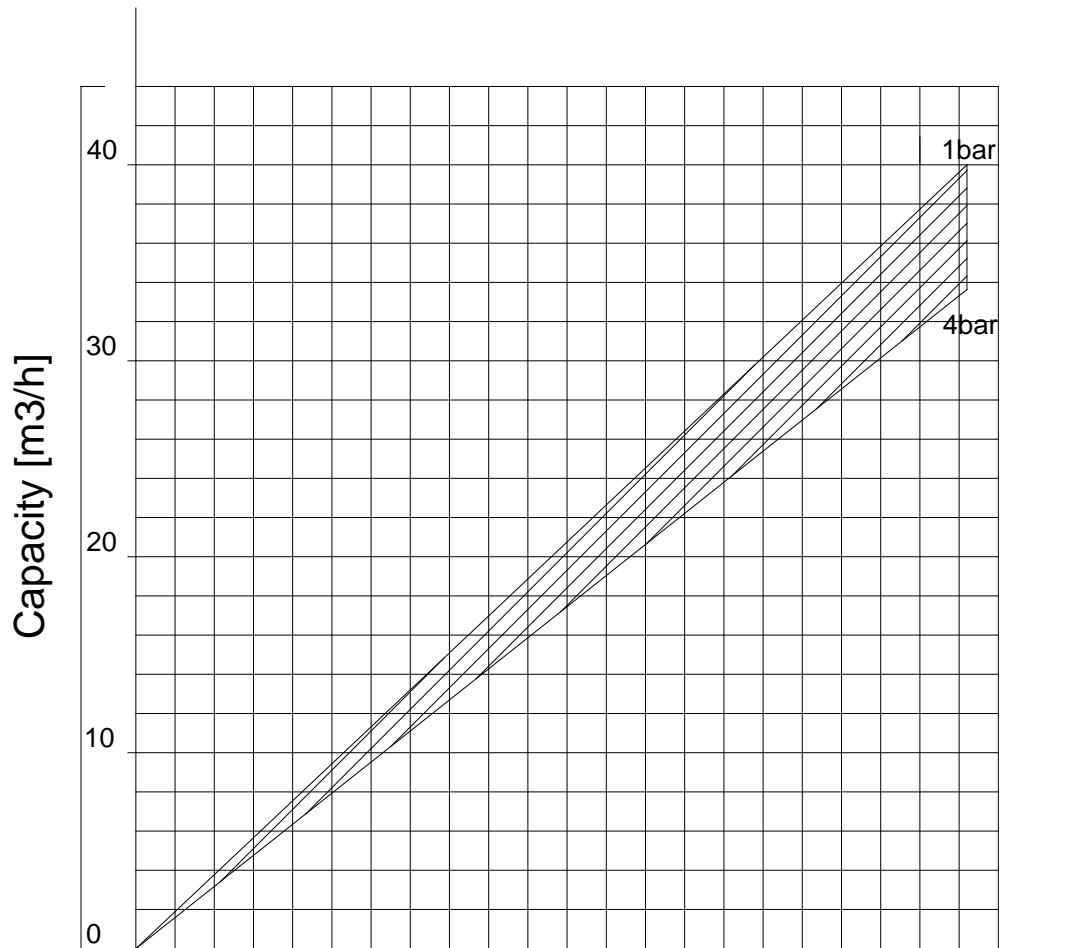
| Technical Parameters |                        |                  |                |     |                             |             |        |
|----------------------|------------------------|------------------|----------------|-----|-----------------------------|-------------|--------|
| Model                | Capacity               | Nominal Pressure | Electric Motor |     | Connection                  | Temperature | Weight |
|                      |                        |                  | kW             | RPM |                             |             |        |
| APLB811              | 5.0 m <sup>3</sup> /h  | 4.0 bar          | 1.50           | 460 | male union joints DIN 11851 | +2 ÷ +85°C  | 110 kg |
| APLB813              | 35.0 m <sup>3</sup> /h |                  | 7.50           | 530 |                             |             | 250 kg |

Characteristic Curves of the Unitech Lobe Pumps Series 800  
Model APLB811



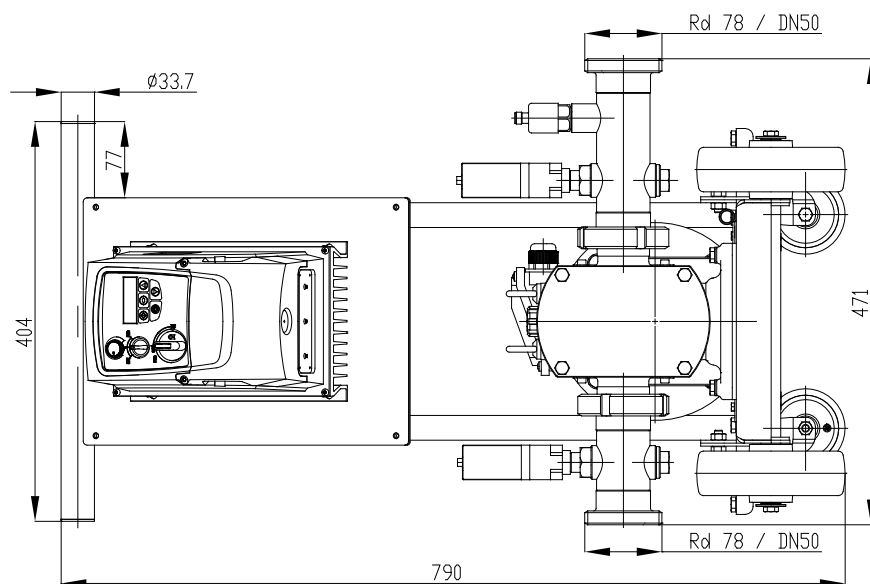
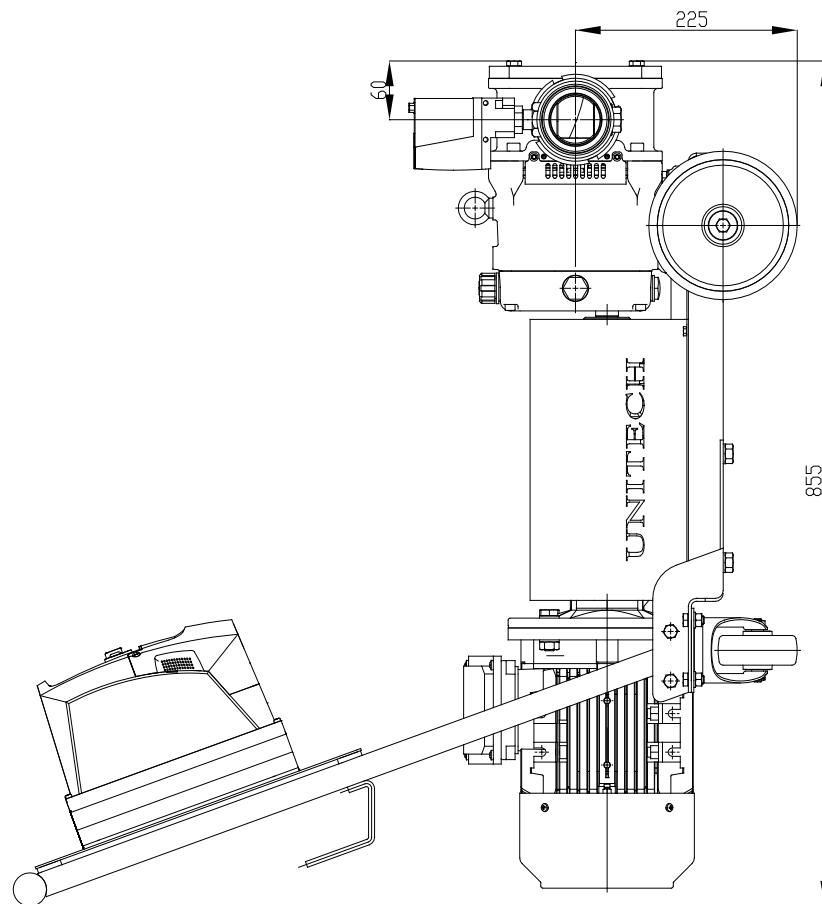
\*with fluid – water at temperature 20 °C.  
\*with pipes equal with pump's connections.

Characteristic Curves of the Unitech Lobe Pumps Series 800  
Model APLB813

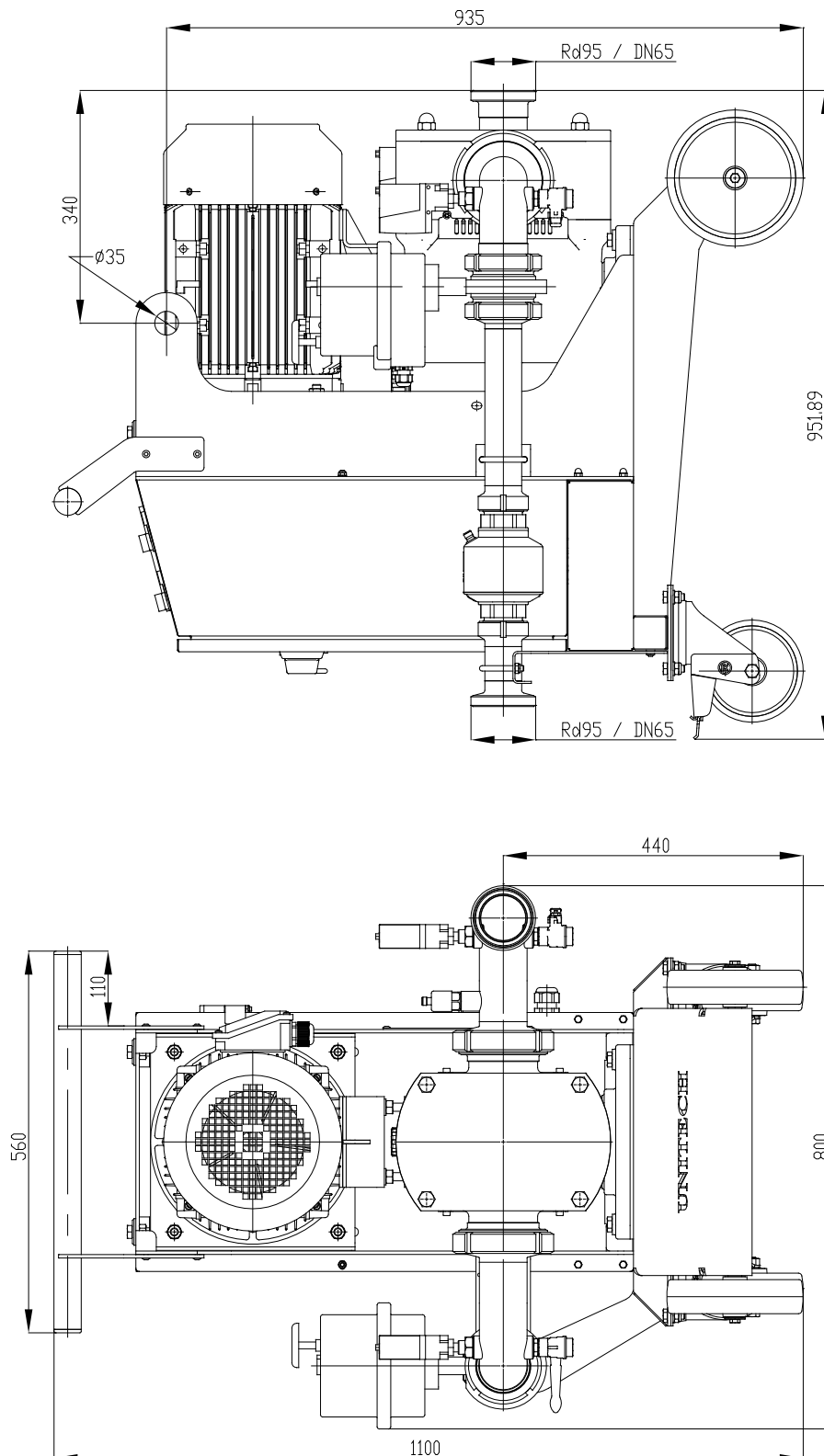


\*with fluid – water at temperature 20 °C.  
\*with pipes equal with pump's connections.

Dimensions of the Unitech Lobe Pumps Series 800  
Model APLB811



Dimensions of the Unitech Lobe Pumps Series 800  
Model APLB813



6600 Kardzhali, Bulgaria  
East Industrial Zone  
Chetvarta Industrialna Str. 5  
Tel: +359888247881  
Tel: +35936166650  
E-mail: [unitech@unitech.bg](mailto:unitech@unitech.bg)  
Web: [www.unitech.bg](http://www.unitech.bg)